

Please read and save these instructions. Read carefully before attempting to assemble, install, operate or maintain the product described. Protect yourself and others by observing all safety information. Failure to comply with instructions could result in personal injury and/or property damage! Retain instructions for future reference.

Dyna-Glo® Delux Natural Gas Radiant Heaters

Description

Dyna-Glo Delux Models RA100NGDGD and RA250NGDGD heaters are 50,000 to 100,000 and 250,000 BTU/Hr construction heaters. These heaters use natural gas for combustion. They are primarily intended for temporary heating of well-ventilated buildings under construction, alteration or repair. These heaters should be utilized in sheltered, well-ventilated areas, but never in occupied dwellings.



ANS Z83.7a-2007/CSA 2.14a-2007 Construction Heater

GHP Group, Inc.
8280 Austin Avenue
Morton Grove, IL 60063



Figure 1 – Models RA100NGDGD / RA250NGDGD

Specifications

Model	BTU/Hr	Fuel Consumption Maximum	Min. Gas Supply Pressure	Max. Gas Supply Pressure	Manifold Pressure	Ignitor Gap	Weight (Lbs)	Size L x W x H (in.)
RA100NGDGD	50,000 to 100,000	5.1 lbs	8" W.C.	14" W.C.	7.5" W.C.	0.19"	18.7 (heater)	16.3 x 16.3 x 29.8
RA250NGDGD	250,000	12.8 lbs	10 PSI	250 PSI	5" W.C.	0.19"	30.8 (heater)	14.7 x 14.7 x 44.3

Fuel Type – Natural Gas Only

Ignition Type – Piezo (RA100NGDGD)
Pilot (RA250NGDGD)

Minimum Operating Temp. – -20°F (-29°C)

Unpacking

1. Unpack all materials used to protect the heater inside of carton. Retain plastic caps attached to exposed fittings for use during storage.
2. Remove heater, accessories and all hardware from carton.
3. Inspect all items for damage that may have occurred during shipment.

General Safety Information

Make sure you read and thoroughly understand these safety and operating instructions. Keep these instructions for future reference. They are your guides to safe and proper operation of this heater.

Safety information appears throughout this manual. Pay close attention to them. Below are definitions for the safety information listed throughout this manual.

⚠ DANGER Indicates an imminently hazardous situation which, if not avoided, WILL result in death or serious injury.

⚠ WARNING Indicates a potentially hazardous situation which, if not avoided, COULD result in death or serious injury.

⚠ CAUTION Indicates a potentially hazardous situation which, if not avoided, MAY result in minor or moderate injury.

⚠ WARNING Not for home or recreational vehicle use.

⚠ WARNING **GENERAL HAZARD**
WARNING: Failure to comply with the precautions and instructions provided with this heater can result in death, serious bodily injury, and property loss, or damage from hazards of fire, explosion, burn, asphyxiation, carbon monoxide poisoning, and/or electrical shock. Only persons who can understand and follow these instructions should use or service this heater. If you need assistance or heater information such as an instruction manual, labels, etc., contact your local manufacturer.

Consumer: Retain this manual for future reference.

Dyna-Glo® Delux Natural Gas Radiant Heaters

General Safety Information (Continued)

▲ WARNING *FIRE, BURN, INHALATION, AND EXPLOSION HAZARD. Keep solid combustibles such as building materials, paper, or cardboard, at a safe distance away from heater as recommended by the instructions. Never use the heater in spaces which do or may contain volatile or airborne combustibles or products such as gasoline, solvents, paint thinner, dust particles, or unknown chemicals.*

▲ WARNING *For outdoor and indoor use with proper ventilation. Not for home or recreational vehicle use.*

This heater has been designed as a construction heater in accordance with ANS Z83.7a-(2007)/CSA 2.14a-(2007). Other standards govern the use of fuel gases and heating products for specific uses. Your local authority can inform you of these. The primary purpose of these construction heaters are to provide temporary heating of building under construction, alteration, or repair. When properly used, the heater provides safe economical heating. Products of combustion are vented into the heated area.

▲ WARNING *Do not operate this heater until you read and thoroughly understand the safety and operating instructions. Not for home or recreational use. Failure to comply with the precautions and instructions provided with this heater can result in death, serious injury, property loss, or damage from fire, explosion, burns, asphyxiation, or carbon monoxide poisoning. Only persons who can understand and follow the instructions should use or service heater.*

▲ WARNING *Combustible by-products produced when using this product contain carbon monoxide, a chemical known to the State of California to cause cancer, birth*

defects, or other reproductive harm.

▲ WARNING *PROPOSITION 65 WARNING: Fuels used in gas, wood burning or oil-fired appliances, and the products of combustion of such fuels, contain chemicals known to the State of California to cause cancer, birth defects and other reproductive harm.*

IMPORTANT: Every possible circumstance that might involve a hazard cannot be anticipated. The warnings in this manual on tags or decals affixed to the unit are not all inclusive. If a procedure, work method, or operating technique not specifically recommended is used, you must make sure it is safe for you and others. You should also ensure that equipment will not be damaged or be made unsafe by the operating or maintenance method you use.

▲ DANGER *Carbon Monoxide poisoning may lead to death! Some people are more affected by Carbon Monoxide than others. Early signs of carbon monoxide poisoning resemble the flu, with headaches, dizziness, and/or nausea. If you have these signs, the heater may not be operating properly or the area may not be sufficiently ventilated. Get fresh air at once! Have heater serviced.*

▲ WARNING *Carefully install and always use great care when operating this heater. Be sure to research and follow all local ordinances and codes. In the absence of local codes, with the Standard for the Storage and Handling of Liquefied Petroleum Gases, ANSI/NFPA 58 and the Natural Gas and Propane Installation Code CSA B149.1. The heater is designed and approved for use as a construction heater in accordance with Standard ANS Z83.7a CSA 2.14a. CHECK WITH YOUR LOCAL FIRE SAFETY AUTHORITY IF YOU HAVE QUESTIONS ABOUT APPLICATIONS. Other standards*

govern the use of fuel gases and heat producing products in specific applications. Your local authority can advise you about these.

Natural Gas: Natural gas has a very distinctive odor that will help you detect a leak. However, this odor may fade in time. Natural gas may be present in the area even though no odor is detected.

- Use only natural gas. Do not attempt to use propane gas. Use only factory preset regulator provided on heater.
- Provide adequate ventilation. Before using heater, provide at least a 3 square foot opening of fresh, outside air for every 100,000 BTU/Hr rating.
- This heater produces Carbon Monoxide, which is listed by the State of California as a reproductive toxin under Proposition 65.

▲ WARNING *PROPOSITION 65 WARNING. This product contains lead, a chemical known to the state of California to cause birth defects or other reproductive harm. Wash hands after handling.*

- This heater should be utilized in sheltered, well-ventilated areas, but never in occupied dwellings.
- Do not use heater in occupied dwellings, in living or sleeping areas.
- Do not use heater in basement or below ground levels. If a leak occurs, gas may accumulate to hazardous amounts.
- Keep appliance clear and free from combustible materials, gasoline, paint thinner, and other flammable vapors and liquids. Dust is combustible. Do not use heaters in areas with high dust content.

Models RA100NGDGD and RA250NGDGD

ENGLISH

General Safety Information (Continued)

- Check heater for damage before each use. Do not use damaged heater.

Minimum heater clearance from combustibles:

Sides: 6 feet Top: 5 feet

Floor: Combustible - Not for use on finished floors

- The heater, other than a heater with integral propane gas container, must be located at least 6 feet (in Canada, distance must be 10 feet) from any propane gas container.
- Blower or radiant type heaters shall not be directed toward any propane gas container within 20 feet (6 m).
- Check hose before each use of heater. Do not use if hose is cut or damaged. Replace with hose specified by manufacturer.
- Always be sure to place the heater on a stable and level surface while the heater is in operation.
- The heater is not intended for use on finished floors. Warping or other damage may occur.
- Place heater away from any breezes or drafts. Keep away from dripping water or rain.
- Keep small children and animals away from the heater.
- Never handle, move or service a hot or operating heater. Wait 20 minutes after turning heater off before touching the heater. Severe burns can result.
- Always wear gloves when handling the heater to prevent injury.
- Never attach ductwork to heater.
- Do not alter heater. Keep heater in its original state.

- Do not use heater if altered.
- Turn off gas supply to heater when not in use.
- Use only original replacement parts. This heater must use design specific parts. Do not substitute or use generic parts. Improper replacement parts could cause serious or fatal injury.

Assembly

MODEL RA100NGDGD

1. Provide natural gas supply system.
2. Install plumbing to a low pressure natural gas source to heater. The source must be regulated to 1/2 PSI, maximum 3/4 inch I.D. pipe or flexible connector, not longer than 10 feet.
3. Be sure to use thread sealing compound when connecting the hose to the heater at the 1/2 NPT fitting at the regulator inlet. Tighten all fittings with a wrench.
4. Open natural gas supply valve SLOWLY.
5. Check all connections for leaks.

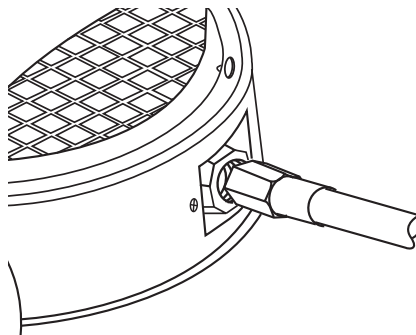


Figure 2 – Pipe and Valve Inlet

⚠ WARNING *Never use an open flame to check for a leak. Apply 50/50 mixture of liquid soap and water to all joints. Bubbles forming show a leak. Correct all leaks at once.*

6. Close natural gas supply valve.

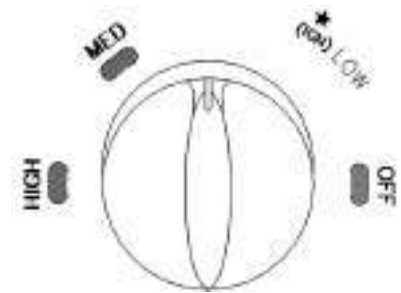


Figure 3 – Heater Control Knob – RA100NGDGD

MODEL RA250NGDGD

1. Provide natural gas supply system.
2. Install plumbing to a low pressure natural gas source to heater.
3. Connect gas supply to heater using minimum 3/8" ID pipe. Maximum pipe length is 10 feet.
4. Connect hose or plumbing to 1/2" NPT flare fitting at the valve inlet. Tighten all fittings with a wrench.
5. Open natural gas supply valve SLOWLY. Check all connections for leaks. Never use an open flame to check for leaks.
6. Close natural gas supply valve.

NOTE: Keep hands and face away from outlet (around top of shelf) of heater while attempting to start heater.

Dyna-Glo® Delux Natural Gas Radiant Heaters

Operation

⚠ WARNING *Hot while in operation. Do not touch. Keep children, clothing, furniture, gasoline, and other liquids having flammable vapors away.*

The gas supply attaches to the heater by a minimum 3/8 inch I.D. pipe or flexible connector. User must supply pipe or flexible connector. The length should be no more than 10 feet. The natural gas moves through the regulator and out the nozzle.

Ignition System: The ignitor initiates a spark which ignites the gas from the main burner.

Automatic Control System: This system causes the heater to turn off if the flame is extinguished.

TO START HEATER (RA100NGDGD)

1. Follow all of the safety, ventilation and installation instructions previously noted in this manual.

2. Always be sure to place the heater on a stable and level surface while the heater is in operation. Be sure that no strong winds blow into the ends of the heater.
3. Turn control knob clockwise to OFF position.
4. Turn natural gas supply valve on.
5. Depress heater control knob and turn counterclockwise to (IGN) LOW position to light burner (see Figure 3).
6. If burner does not light, turn heater control knob to OFF position and repeat step 5. Keep control knob depressed for approximately 10 to 15 seconds, then release control knob.
7. If burner flame goes out, wait 5 minutes then repeat steps 5 and 6.
8. With burner operating, the control knob may be turned counterclockwise to desired heating level between LOW, MED, and HIGH.

TO SHUT DOWN HEATER

1. Shut off the main burner valve, being sure to wear a glove for protection. Turn the control knob to the OFF position.
2. Firmly close the natural gas supply valve.

TO RESTART HEATER

1. Wait five minutes for heater to cool.
2. Follow steps in TO START HEATER section.

TO START HEATER (RA250NGDGD)

1. Follow all of the safety, ventilation and installation instructions previously noted in this manual.
2. Always be sure to place the heater on a stable and level surface while the heater is in operation. Be sure that no strong winds blow into the ends of the heater.
3. SLOWLY open the gas valve.
4. Push in and hold the automatic control button (see Figure 4). Push ignitor button (see Figure 4). You may need to repeat pushing the ignitor button several times before the pilot will light.

NOTE: The gas line may have air in it. Press in the automatic control button for about 15 seconds for the air to pass out of the system. Then push the ignitor button once again. Once the pilot lights, keep the automatic control button pressed in. Release after at least 15 seconds.

5. If pilot does not light, repeat Step 4.
6. When pilot stays lit, fully open the main burner valve by turning the handle of the burner valve counterclockwise until it stops all the way to the ON position.

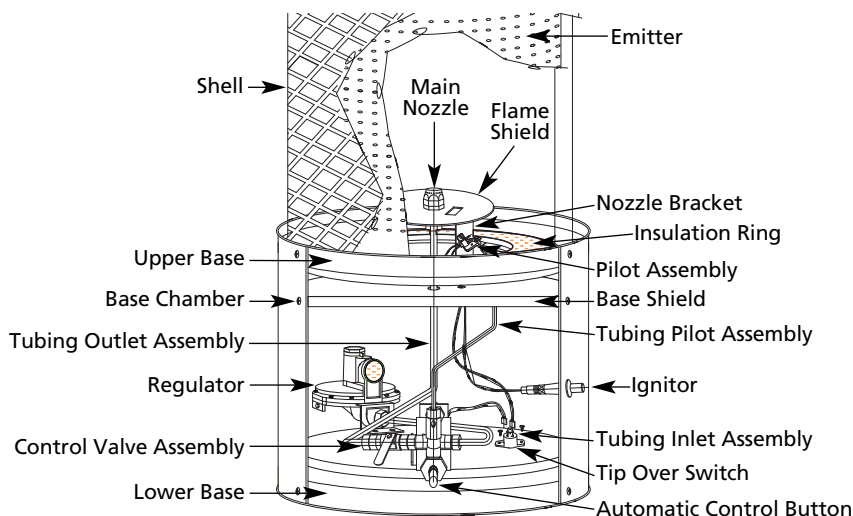


Figure 4 – RA250NGDGD Part Identification

Models RA100NGDGD and RA250NGDGD

Operation (Continued)

NOTE: Arrows on main burner valve handle show directions for ON and OFF.

TO SHUT DOWN HEATER

1. Firmly close the natural gas supply valve.
2. Shut off the main burner valve, being sure to wear a glove for protection. Turn the main burner handle clockwise until it stops all the way to the OFF position.

TO RESTART HEATER

1. Wait five minutes for heater to cool.
2. Follow steps in TO START HEATER section.

⚠ WARNING *Running heater below specified gas pressure may cause flashback. During flashback, the burner flame is mostly yellow. The flame will burn inside the burner tube causing a roaring noise. If flashback occurs, turn heater off. After burner tube cools off, restart heater.*

NATURAL GAS SUPPLY

You must provide the natural gas supply along with all pipe and fittings. The gas supply must be regulated down to a maximum of 1/2 PSI, and to a minimum of 6 inches water column. The supply system must supply 8" WC min. (RA100NGDGD) for each heater connected to the system.

Check with your local gas supplier to properly size all of your supply lines. Be sure to follow all local codes, or refer to the Natural Fuel Gas Code Handbook – NFPA54/ANSI Z223.1, or the Natural Gas Installation Code – CAN/CSA B149.1.

VENTILATION

⚠ WARNING *A three square foot opening of fresh outside air for each 100,000 BTU/hr of heater output must be provided to operate each heater safely. If the proper ventilation air is not provided, carbon monoxide poisoning can occur. Always be sure that the proper ventilation is being provided before starting this heater.*

FRESH OUTSIDE AIR OPENING REQUIREMENTS

Heater size	Square foot opening
100,000 BTU	3.0
250,000 BTU	7.5

⚠ WARNING *Read and understand all of the warnings in the General Safety Information pages of this manual. They are essential to the safe operation of this heater. Be sure to follow all local codes when operating this heater.*

⚠ WARNING *Be sure to leak test all fittings and pipe connections after installation or repairs. Use a 50/50 mixture of liquid dish soap and water. Bubbles forming reveal a leak. You must repair all leaks at once!*

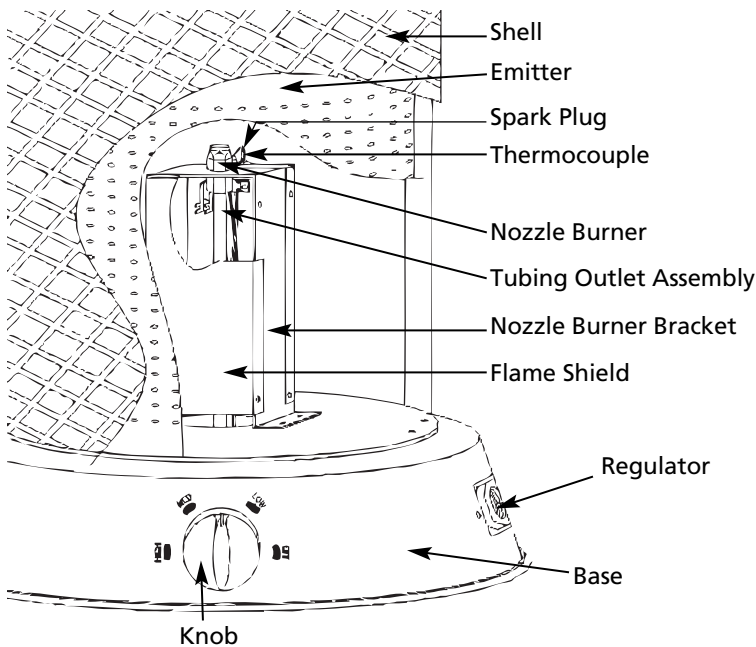


Figure 5 – RA100NGDGD Part Identification

Dyna-Glo® Delux Natural Gas Radiant Heaters

ENGLISH

Maintenance

▲ WARNING *Never attempt to service heater while it is connected to natural gas supply, operating, or hot. Severe burns can occur.*

1. Always keep heater clean.
2. Inspect heater before each use. Check connections for leaks. Apply a 50/50 solution of dish soap and water. Bubbles forming show a leak that must be corrected. Correct leaks at once.

3. Inspect regulator hose assembly before each use. If hose is highly worn or cut, replace with hose specified by manufacturer.
4. Keep appliance area clear and free from combustible materials, gasoline, and other flammable vapors and liquids.
5. Have heater inspected yearly by a qualified service person.
6. The flow of combustion and ventilation air cannot be obstructed.

STORAGE

▲ CAUTION *Disconnect heater from natural gas supply.*

1. Place plastic cover over brass fitting on inlet connector.
2. Store in a dry, clean, safe place.
3. When taking the heater out of storage, always check inside the heater. Small animals or insects may place foreign objects in the heater. Keep heater free from foreign objects and combustible materials.

Troubleshooting Chart

Symptom	Possible Cause(s)	Corrective Action
Burner fails to light	<ol style="list-style-type: none"> 1. More warm-up time needed 2. Gas pressure is low 3. Thermocouple loose or in need of replacement 4. Automatic control valve in need of replacement 	<ol style="list-style-type: none"> 1. Relight, holding control valve button in for 45 seconds 2. Inspect natural gas supply 3. Tighten, reconnect or replace thermocouple 4. Replace automatic control valve
Burner lights but goes out when automatic control valve button is released	<ol style="list-style-type: none"> 1. Main burner valve not completely open 2. Clogged gas orifice 3. Low gas pressure 4. Low gas supply 	<ol style="list-style-type: none"> 1. Completely open main burner valve by turning control knob to HIGH position 2. Replace gas orifice 3. Check gas supply, regulator function 4. Contact gas supplier
Burn rate is low, emitter does not glow	<ol style="list-style-type: none"> 1. Main burner valve not fully open 2. Plugged gas orifices 3. Low gas pressure 4. Low fuel supply 	<ol style="list-style-type: none"> 1. Fully open main burner valve by turning control knob towards HIGH position until it stops 2. Replace gas orifice 3. Check gas supply, regulator output 4. Consult gas supplier
Flames are extremely high and coming from emitter	Unit has been connected to a propane gas supply instead of natural gas	Check gas source and replace with natural gas supply

For Repair Parts, call 1-877-477-4768

Please provide following information:

- Model number
- Serial number (if any)
- Part description and number as shown in parts list

E
N
G
L
I
S
H

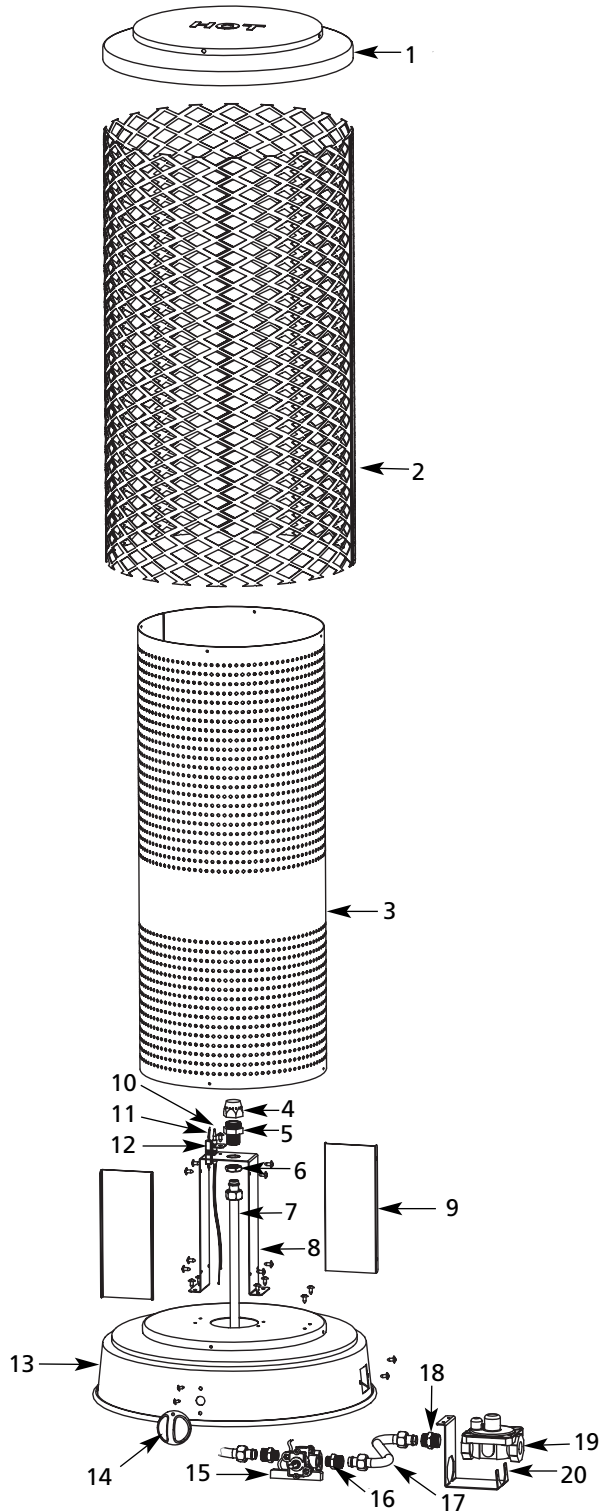


Figure 6 – Repair Parts Illustration for Natural Gas Radiant Heater RA100NGDGD

For Technical Support or Troubleshooting, Call: 1-877-477-4768, 8:00 am - 5:00 pm CST

www.ghpgroupinc.com

Model RA100NGDGD

Repair Parts List for Natural Gas Radiant Heater RA100NGDGD

Reference Number	Description	Part Number for Model: RA100NGDGD	Quantity
1	Top Cover	5002854	1
2	Guard	2315528	1
3	Emitter	2315519	1
4	Nozzle	2315521	1
5	Nozzle Connector	2315545	1
6	Nozzle Nut	2315546	1
7	Main Gas Tubing Assy (NG)	2315523	1
8	Nozzle Bracket	2315517	1
9	Flame Shield	2315516	2
10	Thermocouple	2201584	1
11	Spark Plug	2201583	1
12	Thermocouple Holder	2315520	1
13	Base	5002851	1
14	Control Knob	2101451	1
15	Control Valve	5050651	1
16	Fitting	2304948	2
17	Tubing Inlet Assy	2315524	1
18	Fitting-Regulator to Tubing Inlet	2315547	1
19	Regulator	2315555	1
20	Regulator Bracket	2315518	1

For Repair Parts, call 1-877-477-4768

Please provide following information:

- Model number
- Serial number (if any)
- Part description and number as shown in parts list

E
N
G
L
I
S
H

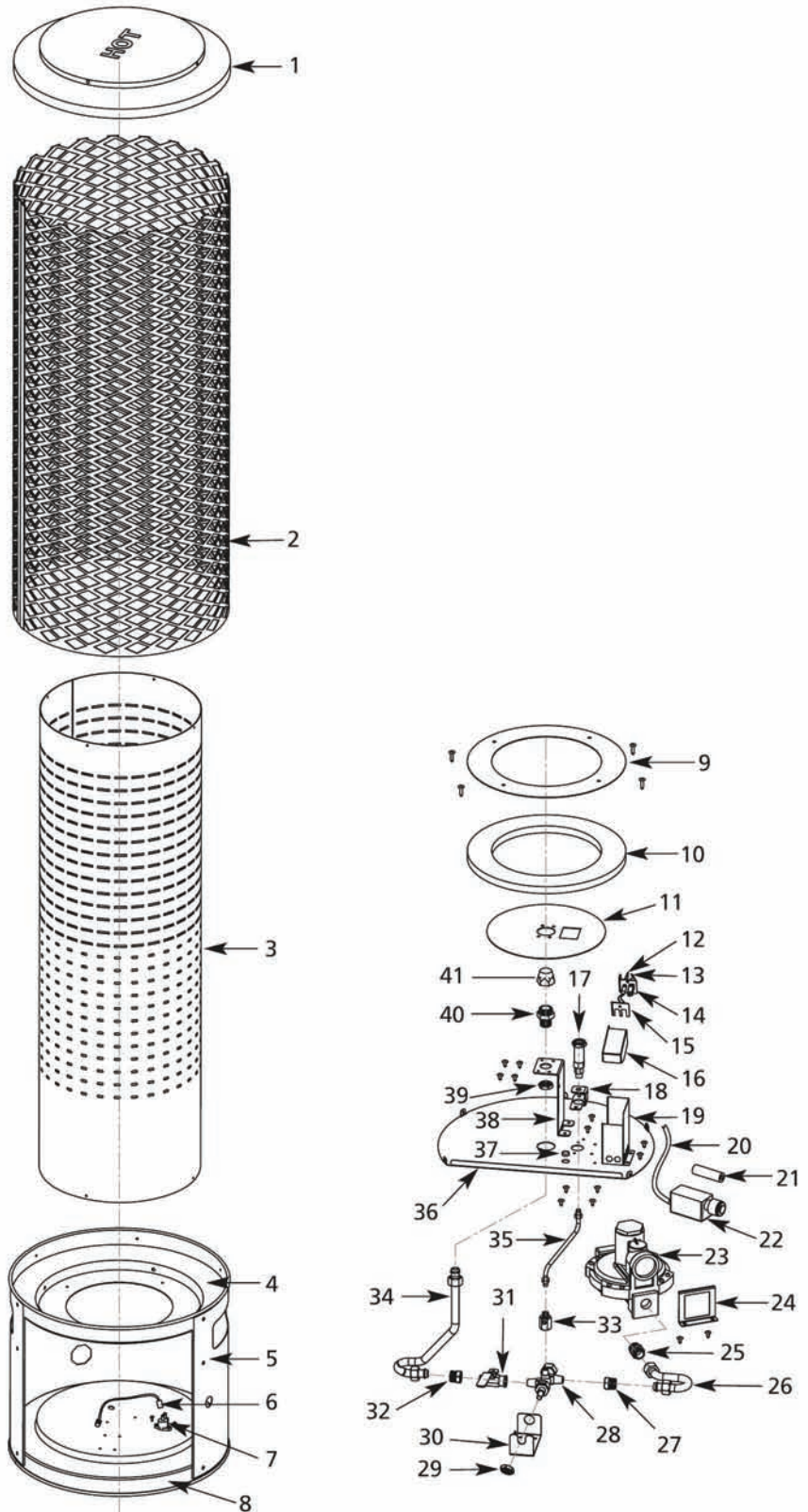


Figure 7 - Repair Parts Illustration for Natural Gas Radiant Heater RA250NGDGD

Model RA250NGDGD

Repair Parts List for Natural Gas Radiant Heater RA250NGDGD

Reference Number	Description	Part Number for Model: RA250NGDGD	Quantity
1	Top Cover	5002854	1
2	Guard	2315554	1
3	Emitter	2315537	1
4	Upper Base	5002853	1
5	Base Cover	2315532	1
6	Lead Wire	2315643	1
7	Tilt Switch	2300186	1
8	Lower Base	5002852	1
9	Blanket	2315539	1
10	Insulation	2315544	1
11	Flame Shield	2315540	1
12	Thermocouple	2201591	1
13	Spark Plug	2201583	1
14	Spark Plug Bracket	2315609	1
15	Bracket	2315520	1
16	Box for Lead Wire	2315535	1
17	Pilot Assy	GL250.39	1
18	Pilot Bracket	2315608	1
19	Wind Box	2315610	1
20	Ignition Wire	2201585	1
21	Battery	2300481	1
22	Ignition	2201220	1
23	Regulator	2315513	1
24	Regulator Holder	2315536	1
25	Regulator Connector	2315547	1
26	Inlet Tubing Assy	2315542	1
27	Connector	2315549	1
28	Control Valve	5001423	1
29	Contol Valve Fixing Nut	2305687	1
30	Contol Valve Bracket	2315538	1
31	Ball Valve	2304630	1
32	Ball Valve Connector	2305391	1
33	Pilot Connector	2315548	1
34	Main Tubing Assy	2315550	1
35	Pilot Tubing	2001402	1
36	Base Shield	2315541	1
37	Rubber Ring for Wire	2315543	1
38	Nozzle Bracket	2315533	1
39	Nut	2101008	1
40	Nozzle Connector	2315534	1
41	Nozzle	2315546	1

For Technical Support or Troubleshooting, Call: 1-877-477-4768, 8:00 am - 5:00 pm CST

www.ghpgroupinc.com

LIMITED WARRANTY:

This limited warranty is extended to the original retail purchaser of this Forced Air/Convection/Radiant Heater and warrants against any defect in materials and workmanship for a period of one (1) year from the date of retail sale. GHP Group, Inc., at it's option, will either provide replacement parts or replace or repair the unit, when properly returned to the retailer where purchased or one of our service centers as directed by GHP Group, Inc., within one (1) year of retail purchase. (Shipping costs, labour costs, etc. are the responsibility of the purchaser.)

DUTIES OF THE OWNER:

This heating appliance must be operated in accordance with the written instructions furnished with this heater. This warranty shall not excuse the owner from properly maintaining this heater in accordance with the written instructions furnished with this heater. A bill of sale, canceled check or payment record must be kept to verify purchase date and establish warranty period. Original carton should be kept in case of warranty return of unit.

WHAT IS NOT COVERED:

1. Damage resulting from use of improper fuel.
2. Damage caused by misuse or use contrary to the owners manual and safety guidelines.
3. Damage caused by a lack of normal maintenance.
4. Fuses
5. Use of non-standard parts or accessories.
6. Damage caused in transit. Freight charges on warranty parts or heaters to and from the factory shall be the responsibility of the owner.

This warranty does not imply or assume any responsibility for consequential damages that may result from the use, misuse, or the lack of routine maintenance of this heating appliance. A cleaning fee and the cost of parts may be charged for appliance failures resulting from lack of maintenance. This warranty does not cover claims which do not involve defective workmanship or materials. FAILURE TO PERFORM GENERAL MAINTENANCE (INCLUDING CLEANING) WILL VOID THIS WARRANTY.

THIS LIMITED WARRANTY IS GIVEN TO THE PURCHASER IN LIEU OF ALL OTHER WARRANTIES, EXPRESSED OR IMPLIED, INCLUDING BUT NOT LIMITED TO THE WARRANTIES OF MERCHANTABILITY OF FITNESS FOR A PARTICULAR PURPOSE. THE REMEDY PROVIDED IN THIS WARRANTY IS EXCLUSIVE AND IS GRANTED IN LIEU OF ALL OTHER REMEDIES. IN NO EVENT WILL GHP GROUP, INC. BE LIABLE FOR INCIDENTAL OR CONSEQUENTIAL DAMAGES.

Some states do not allow limitations on how long an implied warranty lasts, so the above limitation may not apply to you. Some states do not allow the exclusion or limitation of incidental or consequential damages so the above limitation or exclusion may not apply to you.

CLAIMS HANDLED AS FOLLOWS:

1. Contact your retailer and explain the problem.
2. If the retailer is unable to resolve the problem, contact our Customer Service Dept. detailing the heater model, the problem, and proof of date of purchase.
3. A representative will contact you. DO NOT RETURN THE HEATER TO GHP GROUP, INC. unless instructed by our Representative. This warranty gives you specific legal rights and you may also have other rights which vary from state to state.

TO REGISTER THE WARRANTY ON YOUR HEATER, PLEASE FILL OUT THIS CARD COMPLETELY AND MAIL WITHIN 14 DAYS FROM DATE OF PURCHASE OR REGISTER ON-LINE AT www.ghpgroupinc.com

NAME: _____ PHONE: () _____ EMAIL: _____
 ADDRESS: _____ CITY: _____ STATE: _____ ZIP: _____
 MODEL: _____ SERIAL #: _____ DATE PURCHASED: _____
 DEALER PURCHASED FROM: _____ TYPE OF STORE: _____
 CITY & STATE WHERE PURCHASED: _____ PRICE PAID: _____

Please Take a Minute To Give Us Your Answers To The Following Questions.

All Responses Are Used Solely For Market Research And Are Held In Strict Confidence.

Who primarily decided this purchase? Male Female 18-24 25-39 40-59 60 and over
 Purpose of Purchase? _____
 Do you own any other portable heaters? Yes No If yes, type _____ brand _____
 How do you intend to use your new heater? Construction Site Farm Warehouse/Commercial Garage/Outbuilding Other
 How did you become aware of this heater? In-Store Display Newspaper Ad Magazine Ad Friend/Relative
 TV Commercial Store Salesperson Other _____
 What made you select this heater? Style Size/Portability Price Package Brand Other _____
 Do you: own rent Would you recommend this heater to a friend? Yes No
 Please give us your comments: _____

THANK YOU FOR COMPLETING THIS FORM!

Information will be held confidential.

ENGLISH

WARRANTY REGISTRATION

IMPORTANT: We urge you to fill out your warranty registration card within fourteen (14) days of date of purchase. You can also register your warranty on the internet at www.ghpgroupinc.com. Complete the entire serial number. Retain this portion of the card for your records.



GHP Group, Inc.
8280 Austin Ave.
Morton Grove, IL 60053-3207

Tel: (877) 447-4768
www.ghpgroupinc.com

SAVE THIS CARD!

Place
Postage
Stamp
Here

GHP Group, Inc.
8280 Austin Avenue
Morton Grove, IL 60053-3207

Por favor lea y guarde estas instrucciones. Léalas cuidadosamente antes de tratar de montar, instalar, operar o dar mantenimiento al producto aquí descrito. Protéjase usted mismo y a los demás observando toda la información de seguridad. ¡El no cumplir con las instrucciones puede ocasionar daños, tanto personales como a la propiedad! Guarde estas instrucciones para referencia en el futuro.

Calentadores Radiantes a Gas Natural Dyna-Glo® Delux

Descripción

Los modelos de calentador Dyna-Glo Delux RA100NGDGD y RA250NGDGD son calentadores de 50,000 a 100,000 y 250,000 BTU/Hr para sitios de construcción. Estos calentadores utilizan gas natural para la combustión. Las unidades han sido diseñadas principalmente para proporcionar calefacción temporal en edificios bien ventilados en construcción, o a los que se les están haciendo modificaciones o reparaciones. Estos calentadores deben utilizarse en áreas protegidas, bien ventiladas, pero nunca en viviendas habitadas.



Calentador para construcciones ANS Z83.7a-2007/CSA 2.14a-2007

GHP Group, Inc.
8280 Austin Avenue
Morton Grove, IL 60063



Figura 1 – Modelos RA100NGDGD / RA250NGDGD

Especificaciones

Modelo	BTU/Hr	Consumo máximo de combustible	Presión mínima de suministro de gas	Presión máxima de suministro de gas	Presión en el múltiple	Separación del encendedor	Peso (kg)	Dimensiones L x A x Alt (cm)
RA100NGDGD	50,000 a 100,000	2.3 kg	203 mm C.A.	14" W.C.	191 mm C.A.	5 mm	8.5 (calentador)	41.4 x 41.4 x 75.7
RA250NGDGD	250,000	5.8 kg	68.95 kPa	250 PSI	127 mm C.A.	5 mm	14 (calentador)	37.3 x 37.3 x 112.5

Tipo de combustible – Tipo de encendedor – Piezoeléctrico (RA100NGDGD) / Sólo gas natural Piloto (RA250NGDGD)

Temp. mínima de funcionamiento – -29°C (-20°F)

Desempaque

- Desempaque todos los materiales utilizados para proteger el calentador dentro de la caja. Retenga las tapas de plástico que están colocadas en los adaptadores expuestos, para usarlas durante el almacenamiento de la unidad.
- Extraiga el calentador, los accesorios y todos los herrajes de la caja.
- Inspeccione todos los artículos para verificar si se han producido daños durante el transporte.

Información de Seguridad General

Asegúrese de leer y entender completamente estas instrucciones de seguridad y operación. Guarde estas instrucciones para referencia en el futuro. Son sus guías para un uso correcto y seguro de este calentador.

A través de este manual aparece información sobre seguridad. Preste atención a las instrucciones. A continuación se dan definiciones para la información de seguridad que aparece a través de este manual.

⚠ PELIGRO Indica una situación de peligro inminente que, de no evitarse, CAUSARA la muerte o una lesión grave.

⚠ ADVERTENCIA Indica una situación de posible peligro que, de no evitarse, PODRIA causar la muerte o una lesión grave.

⚠ PRECAUCION Indica una situación de posible peligro que, de no evitarse, PODRIA causar lesiones leves o moderadas.

⚠ ADVERTENCIA No ha sido diseñado para uso doméstico o en vehículos recreacionales.

Calentadores Radiantes a Gas Natural Dyna-Glo® Delux

Información de Seguridad General (Continuación)

⚠ ADVERTENCIA **ADVERTENCIA GENERAL DE PELIGRO:** Si no se cumple con las precauciones e instrucciones suministradas con este calentador, se puede sufrir la muerte, lesiones corporales graves, y pérdida de la propiedad o daños a la propiedad debido a los peligros de incendio, explosión, quemaduras, asfixia e intoxicación por monóxido de carbono. Sólo las personas que puedan entender y seguir estas instrucciones deben utilizar o darle servicio a este calentador. Si necesita asistencia o información sobre el calentador, tal como un manual de instrucciones, etiquetas, etcétera, contacto con el fabricante.

Consumidor: Guarde este manual para referencia en el futuro.

⚠ ADVERTENCIA **PELIGRO DE INCENDIO, QUEMADURA, INHALACION Y EXPLOSION.** Mantenga los combustibles sólidos, tales como materiales de construcción, papel, cartón a una distancia prudente del calentador según se recomienda en las instrucciones. Nunca utilice el calentador en espacios que contienen o puedan contener combustibles volátiles o en suspensión en el aire, o productos tales como gasolina, solventes, diluyentes de pintura, partículas de polvo o sustancias químicas desconocidas.

⚠ ADVERTENCIA Para uso en espacios interiores y exteriores con ventilación adecuada. No ha sido diseñado para uso doméstico o en vehículos recreacionales.

Este calentador ha sido diseñado para uso en construcciones de acuerdo a las normas ANS Z83.7a-(2007) / CSA 2.14a-(2007). Otras normas rigen el uso de combustibles, gases y productos de calefacción para un uso específico. Sus autoridades locales pueden informarle sobre esas normas. Estos calentadores para construcciones están diseñados principalmente para proporcionar calefacción temporal en edificios en construcción, o a los que se les están haciendo modificaciones o reparaciones.

El calentador, usado correctamente, proporciona una calefacción económica y segura. Los productos de combustión se ventilan en el área calentada.

⚠ ADVERTENCIA No haga funcionar este calentador hasta que haya leído y entendido completamente las instrucciones de seguridad y operación. No ha sido diseñado para uso doméstico o recreacional.

⚠ ADVERTENCIA Los productos derivados de combustión resultantes del uso de este producto contienen monóxido de carbono, una sustancia química que el Estado de California reconoce como causante de cáncer, malformaciones congénitas u otros daños reproductivos.

⚠ ADVERTENCIA **ADVERTENCIA DE LA PROPUESTA 65:** Los combustibles utilizados en los artefactos que funcionan con gas, madera o aceite y los productos de combustión de esos combustibles contienen sustancias químicas que el Estado de California reconoce como causantes de cáncer, malformaciones congénitas y otros daños reproductivos.

IMPORTANTE: No toda posible circunstancia que podría implicar un peligro puede ser anticipada. Por lo tanto, las advertencias que aparecen en este manual y en las etiquetas o calcomanías pegadas en la unidad no cubren todo. Si se utiliza un procedimiento, método de trabajo o técnica de operación no específicamente recomendado, usted deberá cerciorarse de que es seguro para usted y para otros. También deberá asegurarse que el método de operación o mantenimiento que usted elija no dañará o menoscabará la seguridad del equipo.

⚠ PELIGRO ¡La intoxicación por monóxido de carbono puede producir la muerte! El monóxido de carbono afecta más a algunas personas que a otras. Los síntomas iniciales de la intoxicación por monóxido de carbono se parecen a los síntomas de la gripe como dolor de cabeza, mareo y/o náusea. Si usted presenta estos síntomas, es posible que el calentador no esté funcionando correctamente, o el área no tiene suficiente ventilación. ¡Respire

inmediatamente aire fresco! Haga que le reparen el calentador.

⚠ ADVERTENCIA Instale con cuidado y sea siempre precavido cuando haga funcionar este calentador. Asegúrese de investigar y cumplir con todos los reglamentos y códigos locales. En la ausencia de códigos locales, con la Norma para el almacenamiento y la manipulación de gas licuado de petróleo, ANSI/NFPA 58 y el Código de Instalaciones de Gas Natural CSA B149.1. Este calentador ha sido diseñado y aprobado para uso como un calentador para construcciones con la Norma ANS Z83.7a / CSA 2.14a. Consulte con las autoridades de seguridad de incendios de su localidad si tiene alguna duda sobre el uso de este calentador. Otras normas rigen el uso de gases combustibles y productos productores de calor en aplicaciones específicas. Sus autoridades locales pueden asesorarle sobre esas normas.

Gas natural: El gas natural tiene un olor muy distintivo que le ayudará a detectar una fuga. Sin embargo, este olor puede desaparecer con el tiempo. Podría haber presencia de gas natural en el área aunque no se detecte olor.

- Utilice únicamente gas natural. No intente utilizar gas propano. Utilice únicamente el regulador preajustado en la fábrica suministrado con el calentador.
- Proporcione ventilación adecuada. Antes de usar el calentador, proporcione una abertura de por lo menos 0.28 m cuadrados (3 pies cuadrados) de aire fresco exterior por cada 100,000 BTU/Hr de capacidad.
- Este calentador produce monóxido de carbono, el cual el Estado de California identifica como una toxina reproductiva bajo la Propuesta 65.

⚠ ADVERTENCIA **ADVERTENCIA DE LA PROPUESTA 65:** Este producto contiene plomo. Una sustancia química que el estado de California reconoce como causante de cáncer malformaciones congénitas u otros daños reproductivos. Lávese las manos después de su manipulación.

Para obtener soporte técnico o ayuda para resolver problemas, llame al: 1-877-477-4768, 8:00 am - 5:00 pm CST
www.ghpgrpinc.com

Modelos RA100NGDGD y RA250NGDGD

Información de Seguridad General (Continuación)

- Este calentador debe utilizarse en áreas protegidas, bien ventiladas, pero nunca en viviendas habitadas.
- No use el calentador en viviendas habitadas, lugares habitables o áreas para dormir.
- No utilice el calentador en sótanos o lugares por debajo del nivel del suelo. Si hay una fuga, el gas podría alcanzar cantidades peligrosas.
- Mantenga el aparato despejado y libre de materiales combustibles, gasolina, solventes de pintura y otros líquidos y vapores inflamables. El polvo es combustible. No use calentadores en áreas de alto contenido de polvo.
- Inspeccione el calentador antes de cada uso para ver si está dañado. No use un calentador que esté dañado.

Distancia mínima de separación de combustibles:

Lados: 1.8 m Parte superior: 1.5 m

Piso: Combustibles - No debe utilizarse en los pisos acabados

- El calentador, diferente a un calentador con un cilindro integral de gas propano, deberá colocarse como mínimo a 1.8 m (6 pies) (3 m [10 pies] en Canadá), de cualquier cilindro de gas propano.
- Los calentadores radiantes o sopladores no deberán dirigirse directamente a ningún cilindro de gas propano si están dentro de 6 m (20 pies) entre sí.
- Inspeccione la manguera antes de cada uso del calentador. No utilice la manguera si está rota o dañada. Reemplácela con una manguera especificada por el fabricante.
- Asegúrese siempre de colocar el calentador sobre una superficie estable y nivelada mientras el calentador se encuentre funcionando.
- Este calentador no está diseñado para uso en pisos acabados. Podrían producirse combaduras u otros daños.

- Mantenga el calentador alejado de brisas o corrientes de viento. Manténgalo además alejado de agua goteante o lluvia.
- Mantenga a los niños y animales lejos del calentador.
- Nunca manipule, mueva, o dé servicio a un calentador que esté caliente o funcionando. Espere 20 minutos después de apagar el calentador antes de tocarlo. Pueden ocurrir quemaduras graves.
- Utilice siempre guantes cuando manipule el calentador para evitar lesiones.
- Nunca instale conductos en el calentador.
- No altere el calentador. Mantenga el calentador en su estado original.
- No utilice el calentador si está alterado.
- Cierre el suministro de gas al calentador cuando no lo utilice.
- Utilice únicamente partes de reemplazo auténticas. Este calentador debe usar partes específicas a su diseño. No las sustituya ni use partes genéricas. Las partes de repuesto incorrectas podrían ocasionar lesiones graves o mortales.

Montaje

MODELO RA100NGDGD

1. Proporcione el sistema de suministro de gas natural.
2. Instale una tubería a una fuente de gas natural a baja presión al calentador. La fuente deberá regularse a 3.45 kPa (1/2 PSI), conector flexible o tubería de 3/4 pulg. D.I. máximo, longitud no mayor de 3 m.
3. Asegúrese de utilizar un compuesto sellador de roscas cuando conecte la manguera al calentador en el accesorio de 1/2 pulg. NPT en la entrada del regulador. Apriete todos los accesorios con una llave.
4. Abra LENTAMENTE la válvula de suministro de gas natural.
5. Revise todas las conexiones para asegurarse que no haya fugas.

⚠ ADVERTENCIA *Nunca use una llama para verificar la presencia de fugas. Aplique una mezcla de jabón líquido y agua en todas las uniones. La formación de burbujas indica la presencia de una fuga. Corrija inmediatamente todas las fugas.*

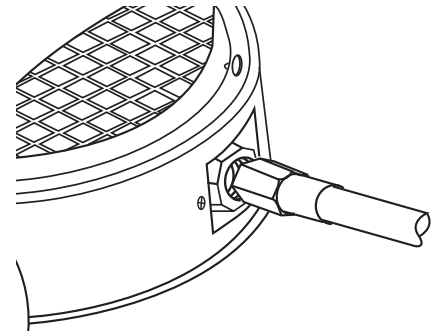


Figura 2 – Tubería y Entrada de la Válvula

6. Cierre la válvula del suministro de gas natural.

MODELO RA250NGDGD

1. Proporcione el sistema de suministro de gas natural.
2. Instale una tubería a una fuente de gas natural a baja presión al calentador.

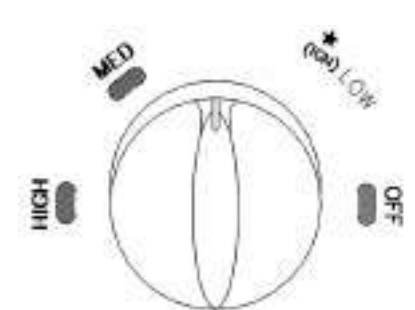


Figura 3 – Perilla de Control del Calentador – RA100NGDGD

3. Conecte el suministro de gas al calentador utilizando una tubería de 3/8 pulg. D.I. mínimo. La longitud máxima de la tubería es 3 m.

Para obtener soporte técnico o ayuda para resolver problemas, llame al: 1-877-477-4768, 8:00 am - 5:00 pm CST
www.ghpgroupinc.com

Calentadores Radiantes a Gas Natural Dyna-Glo® Delux

Montaje (Continuación)

4. Conecte la manguera o tubería a un accesorio abocinado de 1/2 pulg. NPT a la entrada de la válvula. Apriete todos los accesorios con una llave.
5. Abra LENTAMENTE la válvula de suministro de gas natural. Revise todas las conexiones para asegurarse que no haya fugas. Nunca use una llama para verificar la presencia de fugas.
6. Cierre la válvula del suministro de gas natural.

AVISO: Mantenga las manos y la cara alejados de la salida (alrededor de la parte superior del anaquel) del calentador mientras intenta encender el calentador.

Operación

ADVERTENCIA *Está caliente mientras está funcionando. No toque el calentador. Mantenga lejos del calentador a los niños, vestimentas, muebles, gasolina y otros líquidos que tengan vapores inflamables.*

El suministro de gas se fija al calentador utilizando un conector flexible o una tubería de 3/8 pulg. D.I. mínimo. El usuario deberá suministrar la tubería o conector flexible. La longitud no deberá sobrepasar los 3 m. El gas natural se

desplaza a través del regulador hacia la boquilla.

Sistema de ignición: El encendedor genera una chispa que enciende el gas desde el quemador principal.

Sistema de control automático: El sistema apaga el calentador si la llama se extingue.

PARA ENCENDER EL CALENTADOR (RA100NGDGD)

1. Observe todas las instrucciones de seguridad, ventilación e instalación indicadas anteriormente en este manual.
2. Asegúrese siempre de colocar el calentador sobre una superficie estable y nivelada mientras el calentador se encuentre funcionando. Asegúrese que ninguna corriente fuerte de viento alcance los extremos del calentador.
3. Gire la perilla de control hacia la derecha a la posición OFF (Apagado).
4. Encienda la válvula de suministro de gas natural.
5. Presione la perilla de control del calentador y gírela hacia la izquierda a la posición (IGN) LOW (Encendido/Baja) para encender el quemador (vea la Figura 3).

6. Si el quemador no se enciende, gire la perilla de control del quemador a la posición OFF (apagado) y repita el paso 5. Mantenga presionada la perilla de control durante aproximadamente 10 a 15 segundos, luego suelte la perilla de control.

7. Si la llama del quemador se apaga, espere 5 minutos y repita los pasos 5 y 6.

8. Con el quemador encendido, si se desea, puede girarse la perilla de control hacia la izquierda al nivel de calor deseado entre LOW, MED y HIGH (Bajo, Mediano y Alto).

PARA APAGAR EL CALENTADOR

1. Cierre la válvula del quemador principal, y asegúrese de utilizar guantes para su protección. Gire la perilla de control hasta la posición OFF (Apagado).

2. Cierre firmemente la válvula de suministro de gas natural.

PARA VOLVER A ENCENDER EL CALENTADOR

1. Espere cinco minutos para que el calentador se enfríe.
2. Siga los pasos explicados en la sección PARA ENCENDER EL CALENTADOR.

PARA ENCENDER EL CALENTADOR (RA250NGDGD)

1. Observe todas las instrucciones de seguridad, ventilación e instalación indicadas anteriormente en este manual.
2. Asegúrese siempre de colocar el calentador sobre una superficie estable y nivelada mientras el calentador se encuentre funcionando. Asegúrese que ninguna corriente fuerte de viento alcance los extremos del calentador.
3. Abra LENTAMENTE la válvula de gas.
4. Oprima y sostenga el botón de control automático (vea la Figura 4). Oprima el botón del encendedor (vea la Figura 4). Quizás deba volver a oprimir el botón del encendedor varias veces antes de que el piloto se encienda.

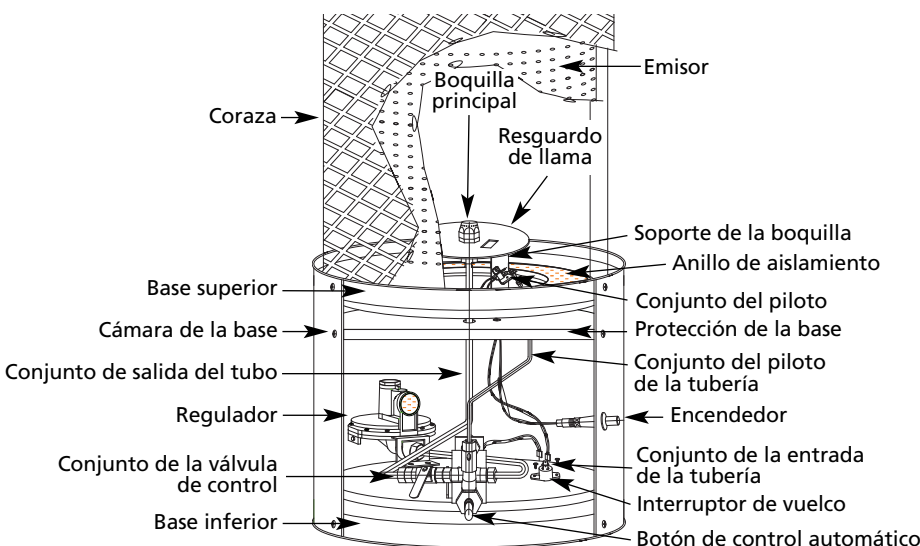


Figura 4 – Identificación de las Partes del Modelo RA250NGDGD

Para obtener soporte técnico o ayuda para resolver problemas, llame al: 1-877-477-4768, 8:00 am - 5:00 pm CST www.gphgroupinc.com

Modelos RA100NGDGD y RA250NGDGD

Operación (Continuación)

AVISO: La línea de gas podría tener aire. Oprima el botón de control automático durante 15 segundos para purgar el aire del sistema. Luego oprima el botón del encendedor nuevamente. Cuando se encienda el piloto, mantenga el botón de control automático oprimido. Suéltelo luego de 15 segundos.

5. Si el piloto no se enciende, repita el Paso 4.
6. Cuando el piloto se mantiene encendido, abra completamente la válvula del quemador principal girando la manilla de la válvula del quemador hacia la izquierda hasta que tope completamente en la posición ON (Encendido).

AVISO: Las flechas en la manilla de la válvula del quemador principal muestran las direcciones ON (Encendido) y OFF (Apagado).

PARA APAGAR EL CALENTADOR

1. Cierre firmemente la válvula de suministro de gas natural.

2. Cierre la válvula del quemador principal, y asegúrese de utilizar guantes para su protección. Gire la manilla del quemador principal hacia la derecha hasta que tope completamente en la posición OFF (Apagado).

PARA VOLVER A ENCENDER EL CALENTADOR

1. Espere cinco minutos para que el calentador se enfríe.
2. Siga los pasos explicados en la sección PARA ENCENDER EL CALENTADOR.

⚠ ADVERTENCIA *Hacer funcionar el calentador a una presión de gas menor que la especificada puede ocasionar un retorno de llama. Durante el retorno de llama, la llama del quemador es casi completamente amarilla. La llama quemará dentro del tubo del quemador produciendo un ruido continuo. Si se produce un retorno de llama, apague el calentador. Luego de que el tubo del quemador se haya enfriado, vuelva a encender el calentador.*

SUMINISTRO DE GAS NATURAL

Deberá proporcionar el suministro de gas natural a lo largo de las tuberías y accesorios. El suministro de gas deberá regularse a un máximo de 3.45 kPa (1/2 PSI), y a un mínimo de 152 mm de columna de agua. El sistema de suministro deberá proporcionar un mínimo de 203 mm de columna de agua (RA100NGDGD) para cada calentador conectado al sistema.

Consulte con su proveedor de gas local acerca del tamaño correcto de todas las líneas de suministro. Asegúrese de observar todos los códigos locales, o consulte el Manual del Código de Gas Combustible Natural – NFPA54/ANSI Z223.1, o el Código de Instalaciones de Gas Natural – CAN/CSA B149.1.

VENTILACION

⚠ ADVERTENCIA *Debe proporcionarse una abertura de 0.28 m cuadrados (tres pies cuadrados) de aire fresco exterior por cada 100,000 BTU/hr para hacer funcionar los calentadores de manera segura. Si no se proporciona la ventilación de aire adecuada, puede ocurrir intoxicación por monóxido de carbono.*

Siempre asegúrese que haya una ventilación adecuada antes de encender este calentador.

REQUISITOS DE ABERTURA DE AIRE FRESCO EXTERIOR

Abertura Tamaño del calentador	en metros cuadrados
100,000 BTU	0.28
250,000 BTU	0.70

⚠ ADVERTENCIA *Lea y entienda todas las advertencias en las páginas de Información de Seguridad General de este manual. Las mismas son esenciales para el funcionamiento seguro de este calentador. Asegúrese de observar todos los códigos locales cuando opere este calentador.*

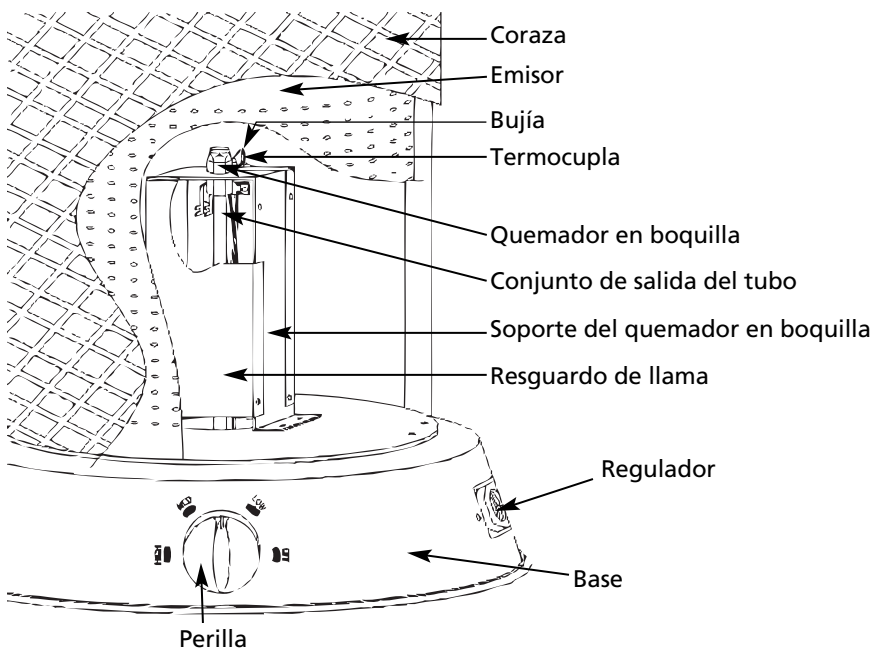


Figura 5 – Identificación de las Partes del Modelo RA100NGDGD

Para obtener soporte técnico o ayuda para resolver problemas, llame al: 1-877-477-4768, 8:00 am - 5:00 pm CST www.gphgroupinc.com

Calentadores Radiantes a Gas Natural Dyna-Glo® Delux

Operación (Continuación)

⚠ ADVERTENCIA *Asegúrese de realizar una prueba de fugas en todos los accesorios y conexiones de tubos luego de llevar a cabo la instalación o reparaciones. Utilice una mezcla de 50/50 de jabón líquido de vajillas y agua. La formación de burbujas indica la presencia de una fuga. ¡Deberá reparar inmediatamente todas las fugas!*

Mantenimiento

⚠ ADVERTENCIA *Nunca intente darle mantenimiento al calentador mientras esté conectado al suministro de gas natural, funcionando o caliente. Pueden ocurrir quemaduras graves.*

1. Mantenga siempre limpio el calentador.

2. Inspeccione el calentador antes de cada uso. Revise las conexiones para verificar si hay fugas. Aplique una solución de 50/50 de jabón de vajillas y agua. La formación de burbujas indica la presencia de una fuga que debe corregirse. Corrija inmediatamente la fuga.
3. Inspeccione el conjunto del regulador y manguera antes de cada uso. Si la manguera está muy desgastada o cortada, reemplácela con la manguera especificada por el fabricante.
4. Mantenga el área del aparato despejada y libre de materiales combustibles, gasolina y otros líquidos y vapores inflamables.
5. Permita que un técnico de servicio calificado inspeccione su calentador cada año.

6. El flujo del aire de combustión y ventilación no debe obstruirse.

ALMACENAMIENTO

⚠ PRECAUCION *Desconecte el calentador del suministro de gas natural.*

1. Coloque la tapa de plástico sobre el accesorio de latón en el conector de entrada.
2. Almacénelos en un lugar seco, limpio y seguro.
3. Cuando saque el calentador del lugar de almacenamiento, verifique su interior. Insectos o animales pequeños podrían dejar objetos extraños dentro del calentador. Mantenga el calentador libre de objetos extraños y materiales combustibles.

Modelos RA100NGDGD y RA250NGDGD

Tabla de Identificación de Problemas

Síntoma	Causa(s) Posible(s)	Medida Correctiva
No se enciende el quemador	<ol style="list-style-type: none"> 1. Se necesita mayor tiempo de calentamiento 2. La presión de gas es baja 3. Termocupla suelta o necesita reemplazarse 4. Válvula de control automático necesita reemplazarse 	<ol style="list-style-type: none"> 1. Vuelva a encender, manteniendo presionado el botón de la válvula de control durante 45 segundos 2. Inspeccione el suministro de gas natural 3. Apriete, vuelva a conectar o reemplace la termocupla 4. Reemplace la válvula de control automático
El quemador se enciende pero se apaga cuando se suelta el botón de la válvula de control automático	<ol style="list-style-type: none"> 1. La válvula del quemador principal no está totalmente abierta 2. Orificio de gas obstruido 3. Baja presión de gas 4. Bajo suministro de gas 	<ol style="list-style-type: none"> 1. Abra completamente la válvula del quemador principal girando la perilla de control a la posición HIGH (Alta) 2. Reemplace el orificio de gas 3. Revise el nivel de gas, y la función del regulador 4. Comuníquese con el proveedor de gas
La tasa de quemado es baja, el emisor no brilla	<ol style="list-style-type: none"> 1. La válvula del quemador principal no está totalmente abierta 2. Orificios de gas obstruidos 3. Baja presión de gas 4. Bajo nivel de combustible 	<ol style="list-style-type: none"> 1. Abra completamente la válvula del quemador principal girando la perilla de control hacia la posición HIGH (Alta) hasta que tope 2. Reemplace el orificio de gas 3. Revise el nivel de gas, y la salida del regulador 4. Consulte al proveedor de gas
Las llamas son demasiado altas o provienen del emisor	Se ha conectado la unidad a un suministro de gas propano en lugar de gas natural	Revise la fuente de gas y reemplace con un suministro de gas natural

**Para Obtener Partes de Reparación en México Llame al 001-800-527-2331
en EE.UU. Llame al 1-877-477-4768**

Por favor proporciónenos la siguiente información:

- Número de modelo
- Número de serie (si lo tiene)
- Descripción de la parte y número que le corresponde en la lista de partes

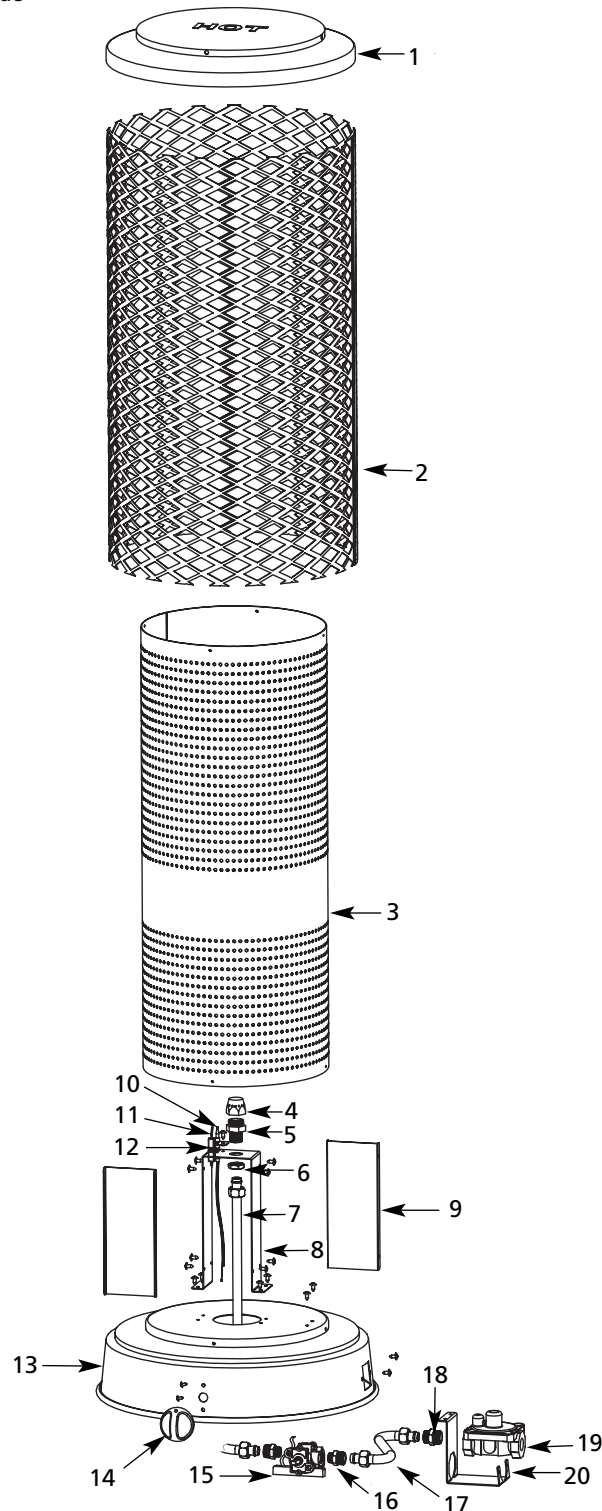


Figura 6 – Ilustración de las Partes de Reparación para el Calentador Radiante a Gas Natural RA100NGDGD

Para obtener soporte técnico o ayuda para resolver problemas, llame al: 1-877-477-4768, 8:00 am - 5:00 pm CST
www.ghpgrpinc.com

Modelo RA100NGDGD

Lista de Partes de Reparación para el Calentador Radiante a Gas Natural RA100NGDGD

Número de Referencia	Descripción	Número de Parte para Modelo: RA100NGDGD	Cantidad
1	Cubierta superior	5002854	1
2	Protección	2315528	1
3	Emisor	2315519	1
4	Boquilla	2315521	1
5	Tuerca de la boquilla	2315545	1
6	Conector de la boquilla	2315546	1
7	Conjunto del tubo de gas principal (GN)	2315523	1
8	Soporte de la boquilla	2315517	1
9	Resguardo de llama	2315516	2
10	Termocupla	2201584	1
11	Bujía	2201583	1
12	Soporte de termocupla	2315520	1
13	Base	5002851	1
14	Perilla de control	2101451	1
15	Válvula de control	5050651	1
16	Adaptador	2304948	2
17	Conjunto de la entrada del tubo	2315524	1
18	Accesorio-Regulador a entrada del tubo	2315547	1
19	Regulador	2315555	1
20	Soporte del regulador	2315518	1

**Para Obtener Partes de Reparación en México Llame al 001-800-527-2331
en EE.UU. Llame al 1-877-477-4768**

Por favor proporciónenos la siguiente información:
 -Número de modelo
 -Número de serie (si lo tiene)
 -Descripción de la parte y número que le corresponde en la lista de partes

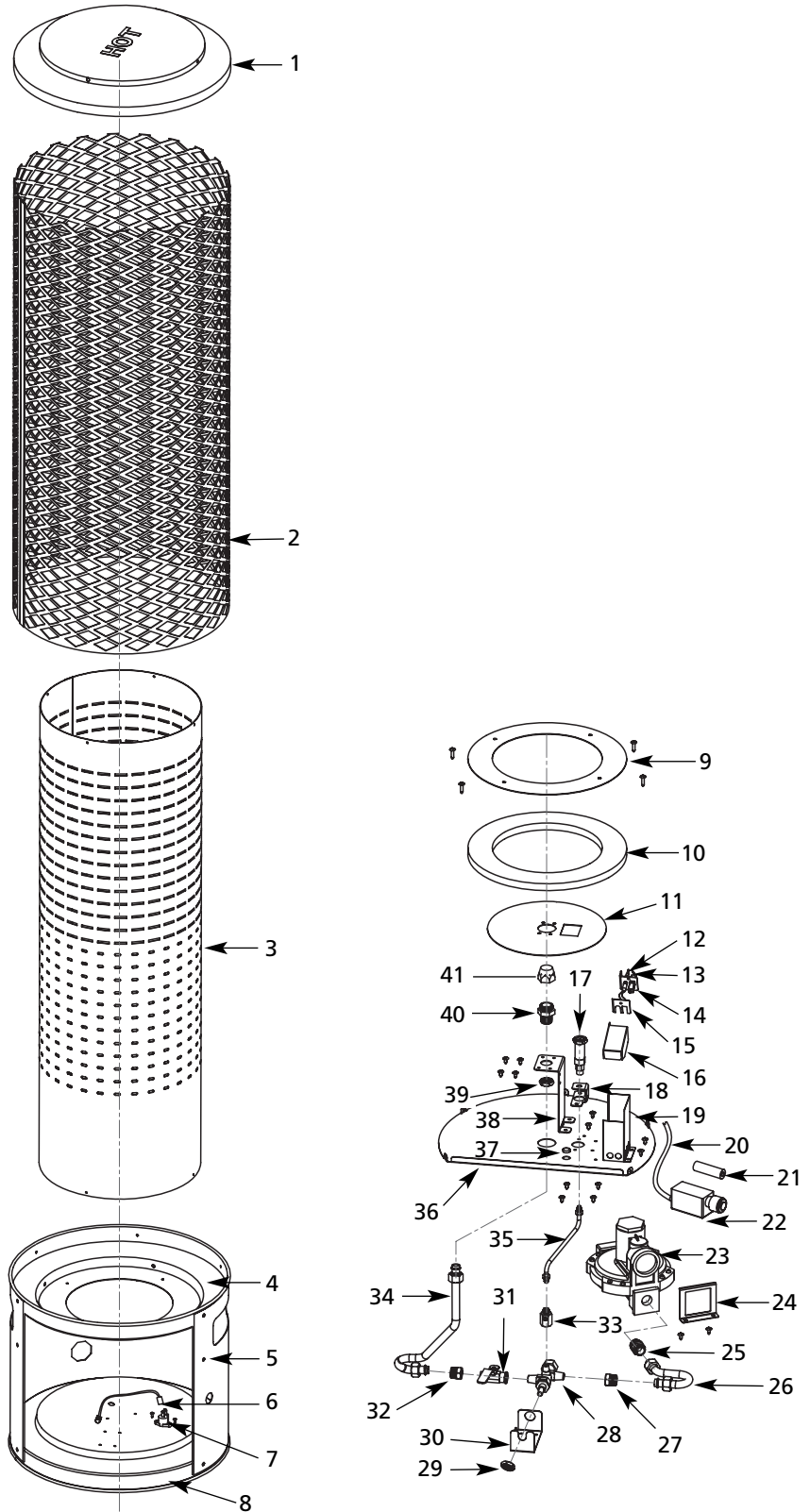


Figura 7 – Ilustración de las Partes de Reparación para el Calentador Radiante a Gas Natural RA250NGDGD

Para obtener soporte técnico o ayuda para resolver problemas, llame al: 1-877-477-4768, 8:00 am - 5:00 pm CST
www.ghpgroupinc.com

Modelo RA250NGDGD

Lista de Partes de Reparación para el Calentador Radiante a Gas Natural RA250NGDGD

Número de Referencia	Descripción	Número de Parte para Modelo: RA250NGDGD	Cantidad
1	Cubierta superior	5002854	1
2	Protección	2315554	1
3	Emisor	2315537	1
4	Base superior	5002853	1
5	Cubierta de la base	2315532	1
6	Conductor principal	2315643	1
7	Interruptor de inclinación	2300186	1
8	Base inferior	5002852	1
9	Manta	2315539	1
10	Aislamiento	2315544	1
11	Resguardo de llama	2315540	1
12	Termocupla	2201591	1
13	Bujía	2201583	1
14	Soporte de bujía	2315609	1
15	Soporte	2315520	1
16	Caja para conductor principal	2315535	1
17	Conjunto del piloto	GL250.39	1
18	Soporte del piloto	2315608	1
19	Conjunto de distribución del aire	2315610	1
20	Cable de bujía	2201585	1
21	Batería	2300481	1
22	Ignición	2201220	1
23	Regulador	2315513	1
24	Soporte del regulador	2315536	1
25	Conector del regulador	2315547	1
26	Conjunto del tubo de entrada	2315542	1
27	Conector	2315549	1
28	Válvula de control	5001423	1
29	Tuerca de fijación de la válvula de control	2305687	1
30	Soporte de la válvula de control	2315538	1
31	Válvula esférica	2304630	1
32	Conector de válvula esférica	2305391	1
33	Conector piloto	2315548	1
34	Conjunto del tubo principal	2315550	1
35	Tubería del piloto	2001402	1
36	Protección de la base	2315541	1
37	Anillo de goma para cable	2315543	1
38	Soporte de la boquilla	2315533	1
39	Tuerca	2101008	1
40	Conector de la boquilla	2315534	1
41	Boquilla	2315546	1

GARANTÍA LIMITADA:

Esta garantía limitada es extendida al comprador original al detalle de este Calentador de Aire Forcado/ Convección/ Radiante y garantiza contra cualquier defecto en materiales y funcionamiento por un período de un (1) año desde la fecha de venta al detalle. GHP Group, Inc., como su opción, proporcionará ya sea el reemplazo de partes o la reparación de la unidad, cuando ésta sea propiamente devuelta al minorista al que le fue comprado o a uno de nuestros centros de servicio como lo indica GHP Group, Inc., por un período de un (1) año siguiente a la fecha de compra al detalle. (Los costos de envío, mano de obra, etc. son responsabilidad del comprador.)

DEBERES DEL PROPIETARIO

Este aparato de calefacción debe ser operado de acuerdo a las instrucciones escritas proporcionadas con este calentador. Esta garantía no debe ser excusa para el dueño para mantener apropiadamente este calentador acorde con las instrucciones escritas proporcionadas con el mismo. El registro de un recibo de venta, un cheque o pago cancelado debe existir para verificar la fecha de compra y establecer el período de garantía. Debe mantener la caja original en caso de retorno de la unidad por medio de la garantía.

LO QUE NO ESTA CUBIERTO:

1. Daño que resulte del uso de combustible inapropiado
2. Daño causado por mal uso o uso contrario a lo especificado en el manual del usuario y los lineamientos de seguridad.
3. Daño causado por la falta de mantenimiento normal
4. Fusibles
5. Uso de partes o accesorios no estándares.
6. Daño causado en tránsito. Los gastos de transporte en las partes o calentadores cubiertos por la garantía hacia y desde la fábrica serán responsabilidad del propietario.

Esta garantía no implica ni asume ninguna responsabilidad de daños consecuentes que puedan resultar del uso, uso erróneo o de la falta de mantenimiento de rutina de este aparato de calefacción. Se cobrará una cuota de limpieza y el costo de partes por las fallas del aparato que resulten de la falta de mantenimiento. Esta garantía no cubre reclamos que no implican trabajo de mano de obra defectuosa o materiales. **EL INCUMPLIMIENTO EN REALIZAR MANTENIMIENTO GENERAL (INCLUYENDO LIMPIEZA) HARÁ INVÁLIDA ESTA GARANTÍA.** ESTA GARANTÍA LIMITADA ES PROPORCIONADA AL COMPRADOR EN LUGAR DE TODAS LAS OTRAS GARANTÍAS, EXPRESADAS Ó IMPLÍCITAS, INCLUYENDO PERO NO LIMITADAS A LAS GARANTÍAS DE PROMOCIÓN DE SALUD PARA UN PROPÓSITO PARTICULAR. LA REPARACIÓN PROPORCIONADA EN ESTA GARANTÍA ES EXCLUSIVA Y ESTÁ GARANTIZADA EN LUGAR DE OTRAS REPARACIONES. BAJO NINGUNA CIRCUNSTANCIA GHP GROUP, INC. SERÁ RESPONSABLE POR DAÑOS INCIDENTALES O CONSECUENTES.

Algunos estados no permiten limitaciones en cuanto tiempo dura una garantía implícita, por lo tanto la siguiente limitación podría no aplicar para usted. Algunos estados no permiten la exclusión o limitación de daños consecuentes o incidentales, por lo tanto la siguiente limitación o exclusión podría no aplicar para usted.

LOS RECLAMOS SE MANEJARÁN COMO SIGUE:

1. Contacte a su vendedor al detalle y explíquelo el problema.
2. Si el vendedor no puede resolver el problema, contacte a nuestro Departamento de Garantía al Consumidor detallando el modelo de calentador, el problema y prueba de la fecha de compra
3. Un representante lo contactará. NO DEVUELVA EL CALENTADOR A GHP GROUP, INC. a menos que se lo indique nuestro Representante. Esta garantía le proporciona derechos legales específicos y usted puede tener también otros derechos, los cuales varían de estado en estado.

PARA REGISTRAR LA GARANTÍA DE SU CALENTADOR, POR FAVOR LLENE COMPLETAMENTE ESTA TARJETA Y ENVÍELA DENTRO DE LOS SIGUIENTES 14 DÍAS A LA FECHA DE COMPRA O REGÍSTRELA POR INTERNET EN www.ghpgroupinc.com.

NOMBRE: _____ TELÉFONO: () _____ CORREO ELECTRÓNICO: _____
 DIRECCIÓN: _____ CIUDAD: _____ ESTADO: _____ CÓDIGO POSTAL: _____
 MODELO: _____ # DE SERIE: _____ FECHA DE COMPRA: _____
 VENDEDOR AL QUE SE LO COMPRO: _____ TIPO DE TIENDA: _____
 CIUDAD & ESTADO DONDE FUE COMPRADO: _____ PRECIO QUE PAGÓ: _____

Por favor tome un minuto para proporcionarnos su respuesta A Las Sigüientes Preguntas:

¿Quién decidió primordialmente sobre esta compra? Masculino Femenino 18-24 25-39 40-59 60 en adelante
 ¿Propósito de Compra? _____

¿Tiene usted algún otro calentador portátil? Sí No Si Sí, escríbalo _____ Marca _____

¿Cómo pretende usar su nuevo calentador? En un lugar de Construcción Granja Bodega/Comercial
 Estacionamiento/Fuera del Edificio Otro _____

¿Cómo se enteró de este calentador? Por exposición en la tienda Anuncio de Periódico Anuncio de Revista Amigo/Familiar
 Comercial de Televisión Vendedor de la Tienda Otror _____

¿Qué lo hizo seleccionar este calentador? Estilo Tamaño/Transportabilidad Precio Paquete Marca Otro _____

Usted: Tiene casa Propia Renta ¿Recomendaría usted este calentador a un amigo? Si No

Por favor díganos sus comentarios: _____

¡GRACIAS POR COMPLETAR ESTE FORMULARIO!
 La Información será mantenida de manera confidencial.

REGISTRO DE GARANTÍA

IMPORTANTE: Lo invitamos a completar nuestro formulario de registro de garantía dentro de los siguientes 14 días a la fecha de compra. Usted también puede registrar su garantía en el internet en www.ghpgroupinc.com. Complete el número de serie. Conserve esta parte de la tarjeta como su comprobante.



GHP Group, Inc.
8280 Austin Ave.
Morton Grove, IL 60053-3207

Tel: (877) 447-4768
www.ghpgroupinc.com

¡GUARDE ESTA TARJETA!

Ponga una
Estampa Postal
Aquí

GHP Group, Inc.
8280 Austin Avenue
Morton Grove, IL 60053-3207

Veillez lire et conserver ces instructions. Lire attentivement avant de commencer à assembler, installer, faire fonctionner ou entretenir l'appareil décrit. Protégez-vous et les autres en observant toutes les informations sur la sécurité. Négliger d'appliquer ces instructions peut résulter en des blessures corporelles et/ou en des dommages matériels ! Conserver ces instructions pour références ultérieures.

Radiateurs rayonnants au gaz naturel Dyna-Glo® Delux

Description

Les radiateurs Dyna-Glo Delux modèles RA100NGDGD et RA250NGDGD sont des radiateurs d'une puissance de 50 000 à 100 000 et 250 000 BTu/h pour chantiers de construction. Ils utilisent le gaz naturel comme combustible. Ils sont surtout conçus pour le chauffage temporaire des édifices en construction, réfection ou réparation bien ventilés. Ces radiateurs doivent être utilisés dans des endroits abrités bien ventilés mais jamais dans des logements habités.



Radiateur de construction ANS Z83.7a-2007/CSA 2.14a-2007

GHP Group, Inc.
8280 Austin Avenue
Morton Grove, IL 60063



Figure 1 – Modèles RA100NGDGD / RA250NGDGD

Spécifications

Modèle	BTu/h	Consommation maximale de combustible	Pression min. d'alim. en gaz	Pression max. d'alim. en gaz	Pression du distributeur	Écart d'allumeur	Poids (kg)	Dimensions L x lar x H (cm)
RA100NGDGD	50 000 à 100 000	2,3 kg	203 mm CE	14" W.C.	191 mm CE	5 mm	8,5 (radiateur)	41,4 x 41,4 x 75,7
RA250NGDGD	250 000	5,8 kg	68,95 kPa	250 PSI	127 mm CE	5 mm	14 (radiateur)	37,3 x 37,3 x 112,5

Type de combustible – Gaz naturel uniquement

Type d'allumage – Piézo (RA100NGDGD) Veilleuse (RA250NGDGD)

Temp. de fonctionnement minimale – -29 °C (-20 °F)

Déballage

- Déballer tous les articles utilisés pour protéger le radiateur à l'intérieur du carton. Conserver les capuchons en plastique posés sur les raccords à découvert pour les utiliser lors de l'entreposage.
- Enlever le radiateur, les accessoires et toutes les pièces du carton.
- Examiner tous les articles pour vérifier qu'aucun dommage n'est survenu durant le transport.

Informations générales sur la sécurité

Veiller à lire et à bien comprendre ces instructions de sécurité et d'utilisation. Conserver ces instructions pour consultation ultérieure. Elles constituent des guides d'utilisation correcte en toute sécurité de ce radiateur.

Des informations sur la sécurité apparaissent dans tout ce manuel. Leur accorder une attention particulière. Les informations sur la sécurité qui apparaissent dans ce manuel sont définies ci-dessous.

⚠ DANGER Indique un danger imminent qui, s'il n'est pas évité, **ENTRAÎNERA** la mort ou des blessures graves.

⚠ AVERTISSEMENT Indique un danger potentiel qui, s'il n'est pas évité, **PEUT** entraîner la mort ou des blessures graves.

⚠ ATTENTION Indique un danger potentiel qui, s'il n'est pas évité, **POURRAIT** entraîner des blessures mineures ou modérées.

⚠ AVERTISSEMENT N'est pas conçu pour un usage résidentiel ou dans un véhicule de plaisance.

Radiateurs rayonnants au gaz naturel Dyna-Glo® Delux

Informations générales sur la sécurité (suite)

▲ AVERTISSEMENT

AVERTISSEMENT GÉNÉRAL DE

DANGER : Le non respect des précautions et des instructions fournies avec ce radiateur peut entraîner la mort, des blessures graves, des pertes ou des dommages matériels suite aux risques d'incendie, d'explosion, de brûlures, d'asphyxie, d'empoisonnement au monoxyde de carbone et ou de décharge électrique. Seules des personnes aptes à comprendre et suivre ces instructions doivent utiliser ou entretenir ce radiateur. Contacter le fabricant de votre en cas de besoin de manuel d'instructions, d'étiquettes, etc.

Consommateur : Conserver ce manuel pour consultation ultérieure.

▲ AVERTISSEMENT

RISQUE D'INCENDIE, DE BRÛLURE, D'INHÉLATION ET D'EXPLOSION.

Garder les combustibles solides, comme les matériaux de construction, le papier ou le carton, à une distance sécuritaire du radiateur, suivant les recommandations de ce manuel. Ne jamais utiliser le radiateur dans des endroits qui contiennent ou pourraient contenir des matières combustibles volatiles ou en suspension dans l'air, ou encore des produits comme de l'essence, des solvants, des diluants à peinture, des particules de poussière ou des produits chimiques inconnus.

▲ AVERTISSEMENT

Pour une utilisation à l'extérieur et à l'intérieur avec ventilation adéquate.

N'est pas conçu pour un usage résidentiel ou dans un véhicule de plaisance.

Ce radiateur est conçu pour les chantiers de construction en conformité avec la norme ANS Z83.7a (2007) / CSA 2.14a- (2007). D'autres normes régissent l'utilisation des gaz combustibles et des produits de chauffage pour des utilisations spécifiques. Les autorités locales peuvent fournir des informations sur ces dernières. La fonction principale de ces radiateurs pour chantiers de construction est de fournir un moyen de chauffage temporaire des édifices en construction ou en réparation. Lorsqu'ils sont utilisés correctement, ils permettent de chauffer de manière économique. Les

produits de la combustion sont ventilés dans l'aire chauffée.

▲ AVERTISSEMENT

Ne pas utiliser ce radiateur avant d'avoir lu et entièrement compris ces directives de sécurité et d'utilisation. N'est pas conçu pour un usage résidentiel ou de plaisance.

▲ AVERTISSEMENT

Les sous-produits de combustion dégagés par cet appareil contiennent du monoxyde de carbone, un produit chimique reconnu par l'État de Californie pour causer le cancer, des anomalies congénitales ou d'autres effets nocifs sur la reproduction.

▲ AVERTISSEMENT

AVERTISSEMENT DE LA PROPOSITION 65 :

Les combustibles utilisés dans les appareils alimentés au gaz, au bois ou à l'huile et les produits de la combustion de ces combustibles contiennent des produits chimiques reconnus par l'État de Californie pour causer le cancer, des anomalies congénitales et autres effets nocifs sur la reproduction.

IMPORTANT : Il est impossible de prévoir toutes les circonstances susceptibles de présenter des risques. Les avertissements figurant sur les étiquettes ou autocollants que l'on trouve sur l'appareil et qui sont mentionnés dans ce manuel ne couvrent pas toutes les situations. Si on utilise une procédure, une méthode de travail ou une technique d'utilisation qui n'est pas spécifiquement recommandée, on doit s'assurer qu'elle est sûre pour soi et pour les autres. S'assurer également que l'équipement ne sera pas endommagé ou rendu non sécuritaire par la méthode d'utilisation ou d'entretien choisie.

▲ DANGER

L'empoisonnement au monoxyde de carbone peut entraîner la mort! Certaines personnes sont plus affectées que d'autres par le monoxyde de carbone. Les premiers signes d'une intoxication au monoxyde de carbone ressemblent aux symptômes de la grippe, comme des maux de tête, des étourdissements et/ou de la nausée. Si ces symptômes sont ressentis, il se peut que le radiateur ne fonctionne pas correctement et que l'endroit ne soit pas suffisamment ventilé. Aller immédiatement à l'air frais! Faire réparer le radiateur.

▲ AVERTISSEMENT

Installer ce radiateur avec précaution et toujours faire très attention lorsqu'on fait fonctionner ce radiateur. Veiller à se renseigner sur tous les règlements et codes locaux et à les respecter. En l'absence de codes locaux, se reporter à la documentation suivante : Standard for the Storage and Handling of Liquefied Petroleum Gases, ANSI/NFPA 58 et Natural Gas and Propane Installation Code, CSA B149.1. Ce radiateur est conçu et approuvé pour les sites de construction, en conformité avec ANS Z83.7a / CSA 2.14a. Consulter le service des incendies de votre localité pour toute question sur une utilisation du radiateur. D'autres normes régissent l'utilisation des gaz combustibles et des produits de chauffage pour des applications spécifiques. Les autorités locales peuvent vous informer sur ces dernières.

Gaz naturel : Le gaz naturel a une odeur très particulière qui facilite la détection d'une fuite. Il se peut toutefois que cette odeur s'atténue avec le temps. Il se peut que du gaz naturel soit présent dans l'endroit où on se trouve, même si on ne détecte aucune odeur.

- N'utiliser que du gaz naturel. Ne pas essayer d'utiliser du gaz propane.
- N'utiliser que le détendeur préréglé à l'usine monté sur le radiateur.
- Fournir une ventilation adéquate. Avant d'utiliser le radiateur, prévoir une ouverture d'au moins 0,28 m² (3 pi²) par tranche de 100 000 BTu/h de puissance nominale pour l'entrée d'air frais extérieur.
- Ce radiateur produit du monoxyde de carbone, homologué par l'État de Californie comme une toxine nocive pour la reproduction, selon la Proposition 65.

▲ AVERTISSEMENT

AVERTISSEMENT DE LA PROPOSITION 65 :

Ce produit contient du plomb, un produit chimique reconnu par l'état de Californie comme causant le cancer et des anomalies congénitales, et comme un produit nocif représentant d'autres dangers pour l'appareil reproducteur. Se laver les mains après toute

Pour obtenir du soutien technique ou du dépannage, appeler : 1-877-477-4768, 8:00 am - 5:00 pm CST

www.gphgroupinc.com

Modèles RA100NGDGD et RA250NGDGD

Informations générales sur la sécurité (suite)

- Ce radiateur doit être utilisé dans des endroits abrités bien ventilés mais jamais dans des logements habités.
- Ne pas utiliser le radiateur dans les pièces de séjour ou les chambres des logements habités.
- Ne pas utiliser le radiateur dans un sous-sol ou plus bas que le niveau du sol. En cas de fuite, une quantité dangereuse de gaz peut s'accumuler.
- L'appareil ne doit pas être à proximité de matières combustibles, d'essence, de diluant pour peinture ou d'autres liquides aux vapeurs inflammables. La poussière est combustible. Ne jamais utiliser de radiateurs dans des endroits très poussiéreux.
- Vérifier le radiateur avant chaque utilisation pour s'assurer qu'il n'est pas endommagé. Ne pas utiliser un radiateur endommagé.

Espacement minimum du radiateur par rapport aux combustibles :

Côtés : 1,8 m Dessus : 1,5 m

Plancher: Combustible - Ne pas utiliser sur les planchers finis

- Le radiateur, à l'exception d'un radiateur avec bouteille de gaz propane intégrée, doit être situé à une distance d'au moins 1,8 m (distance de 3 m au Canada) de toute bouteille de gaz propane.
- Les radiateurs à soufflante ou de type rayonnant ne doivent pas être dirigés vers une quelconque bouteille de gaz propane située à une distance de 6 m (20 pi).
- Vérifier le tuyau avant chaque utilisation du radiateur. Ne pas utiliser si le tuyau est coupé ou endommagé. Remplacer par un tuyau spécifié par le fabricant.
- Toujours veiller à placer le radiateur sur une surface stable et horizontale lorsqu'il est en marche.
- Ce radiateur n'est pas conçu pour être placé sur un plancher fini. Des

déformations ou d'autres dommages pourraient en résulter.

- Placer le radiateur loin de tout courant d'air. Garder loin des égouttements d'eau ou de la pluie.
- Ne pas laisser les enfants ni les animaux s'approcher du radiateur.
- Ne jamais manipuler, déplacer ni réparer un radiateur chaud ou en marche. Attendre 20 minutes après l'extinction du radiateur avant de le toucher. Des brûlures sévères peuvent se produire.
- Toujours porter des gants pour manipuler le radiateur sans risquer de se blesser.
- Ne jamais raccorder un système de gaines au radiateur.
- Ne pas modifier le radiateur. Garder le radiateur dans son état d'origine.
- Ne pas utiliser un radiateur qui a été modifié.
- Couper l'alimentation en gaz du radiateur lorsqu'il n'est pas utilisé.
- Utiliser uniquement des pièces de rechange d'origine. Ce radiateur doit utiliser des pièces d'un modèle particulier. Ne pas substituer ou utiliser des pièces génériques. Des pièces détachées inappropriées peuvent causer des blessures graves ou mortelles.

Assemblage

MODÈLE RA100NGDGD

1. Prévoir un système d'alimentation en gaz naturel.
2. Poser un tuyau reliant le radiateur à une source de gaz naturel basse pression. La source doit être réglée à une pression maximum de 3,45 kPa (1/2 PSI) et reliée au radiateur par un tuyau ou flexible d'un diam. int. maximum de 19 mm (3/4 po) et d'une longueur ne dépassant pas 3 m (10 pi).
3. Veiller à utiliser du produit d'étanchéité de filetage lors du branchement du tuyau au raccord 1/2 NPT d'entrée de détendeur du radiateur. Serrer tous les raccords avec une clé.

4. Ouvrir LENTEMENT le robinet d'alimentation en gaz naturel.
5. Contrôler l'étanchéité de tous les raccords.

⚠ AVERTISSEMENT

Ne jamais utiliser une flamme nue pour contrôler l'étanchéité. Appliquer une solution à parts égales de savon liquide et d'eau sur tous les raccords. La formation de bulles indique une fuite. Réparer immédiatement les fuites.

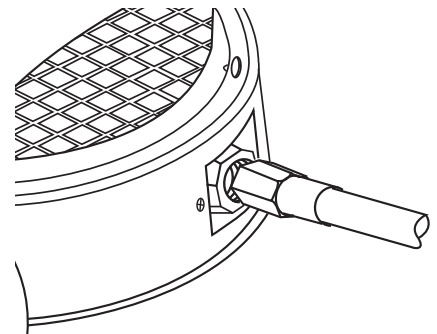


Figure 2 - Tuyau et entrée de robinet

6. Fermer le robinet d'alimentation en gaz naturel.

MODÈLE RA250NGDGD

1. Prévoir un système d'alimentation en gaz naturel.
2. Poser un tuyau reliant le radiateur à une source de gaz naturel basse pression.

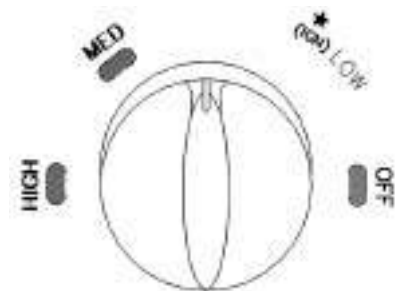


Figure 3 - Bouton de commande du radiateur - RA100NGDGD

Radiateurs rayonnants au gaz naturel Dyna-Glo® Delux

Assemblage (suite)

- Raccorder une alimentation en gaz au radiateur en utilisant un tuyau d'au moins 9,5 mm (3/8 po) de diamètre intérieur. Le tuyau peut avoir une longueur maximum de 3 m (10 pi).
- Raccorder le flexible ou le tuyau au raccord évasé 1/2 NPT d'entrée du robinet. Serrer tous les raccords avec une clé.
- Ouvrir LENTEMENT le robinet d'alimentation en gaz naturel. Contrôler l'étanchéité de tous les raccordements. Ne jamais utiliser une flamme nue pour contrôler l'étanchéité.
- Fermer le robinet d'alimentation en gaz naturel.

REMARQUE : Ne pas approcher les mains ni le visage de la sortie (autour du dessus du plateau) du radiateur lorsqu'on met le radiateur en marche.

Fonctionnement

AVERTISSEMENT *Chaud lorsqu'en fonctionnement. Ne pas toucher. Garder les enfants, les vêtements, les meubles, l'essence et les autres liquides ayant des vapeurs inflammables à une distance sécuritaire.*

L'alimentation en gaz peut être raccordée au radiateur au moyen d'un tuyau ou d'un raccord flexible d'un diamètre intérieur d'au moins 9,5 mm (3/8 po). L'utilisateur doit fournir le tuyau ou le raccord flexible. La longueur ne doit pas dépasser 3 m (10 pi). Le gaz naturel traverse le détendeur et sort par le gicleur.

Système d'allumage : L'allumeur déclenche une étincelle qui allume le gaz s'échappant du brûleur principal.

Système de contrôle automatique : Ce système provoque l'arrêt du radiateur si la flamme s'éteint.

MISE EN MARCHÉ DU RADIATEUR (RA100NGDGD)

- Suivre toutes les instructions de sécurité, de ventilation et d'utilisation mentionnées plus haut dans ce manuel.
- Toujours veiller à placer le radiateur sur une surface stable et horizontale lorsqu'il est en marche. Veiller à ce qu'aucun vent violent ne souffle dans les extrémités du radiateur.
- Tourner le bouton de commande dans le sens horaire à la position « OFF » (arrêt).
- Tourner pour ouvrir le robinet d'alimentation en gaz naturel.

- Enfoncer le bouton de commande du radiateur et le tourner dans le sens antihoraire à la position « (IGN) LOW » pour allumer le brûleur (voir la Figure 3).
- Si le brûleur ne s'allume pas, tourner le bouton de commande du radiateur à la position d'arrêt « OFF » et répéter l'étape 5. Enfoncer le bouton de commande pendant environ 10 à 15 secondes, puis le relâcher.
- Si la flamme du brûleur s'éteint, attendre 5 minutes, puis répéter les étapes 5 et 6.
- Alors que le brûleur fonctionne, le bouton de commande peut être tourné dans le sens antihoraire au niveau de chauffage voulu, entre LOW, MED et HIGH (bas, moyen, élevé).

PROCÉDURE D'ARRÊT DU RADIATEUR

- Fermer le robinet du brûleur principal en veillant à porter un gant de protection. Tourner le bouton de commande en position « OFF » (arrêt).
- Fermer fermement le robinet d'alimentation en gaz naturel.

REMISE EN MARCHÉ DU RADIATEUR

- Attendre cinq minutes pour permettre au radiateur de refroidir.
- Procéder comme indiqué dans la section MISE EN MARCHÉ DU RADIATEUR.

MISE EN MARCHÉ DU RADIATEUR (RA250NGDGD)

- Suivre toutes les instructions de sécurité, de ventilation et d'utilisation mentionnées plus haut dans ce manuel.
- Toujours veiller à placer le radiateur sur une surface stable et horizontale lorsqu'il est en marche. Veiller à ce qu'aucun vent violent ne souffle dans les extrémités du radiateur.
- Ouvrir LENTEMENT le robinet de gaz.

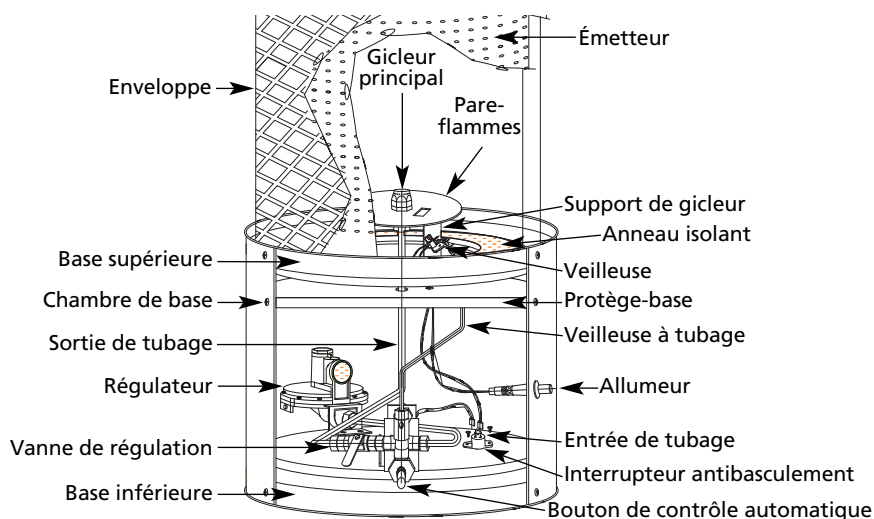


Figure 4 – Identification des pièces du modèle RA250NGDGD

Pour obtenir du soutien technique ou du dépannage, appeler : 1-877-477-4768, 8:00 am - 5:00 pm CST
www.gphpinc.com

Modèles RA100NGDGD et RA250NGDGD

Fonctionnement (suite)

4. Appuyer sur le bouton de contrôle automatique (voir la Figure 4) et le maintenir enfoncé. Appuyer sur le bouton de l'allumeur (voir la Figure 4). Il se peut qu'il faille appuyer plusieurs fois sur le bouton de l'allumeur avant que la veilleuse s'allume.

REMARQUE : Il se peut qu'il y ait de l'air dans la conduite de gaz. Appuyer sur le bouton de contrôle automatique pendant environ 15 secondes pour évacuer l'air du système. Appuyer encore une fois sur le bouton de l'allumeur. Une fois que la veilleuse s'allume, appuyer sur le bouton de contrôle automatique pendant 15 secondes.

5. Répéter l'étape 4 si la veilleuse ne s'allume pas.

6. Lorsque la veilleuse reste allumée, ouvrir complètement en grand le robinet du brûleur principal en tournant sa manette à fond, dans le sens antihoraire, en position « ON ».

REMARQUE : Les flèches qui se trouvent sur la manette du brûleur principal indiquent le sens de rotation vers les positions « ON » et « OFF ».

PROCÉDURE D'ARRÊT DU RADIATEUR

1. Fermer fermement le robinet d'alimentation en gaz naturel.
2. Fermer le robinet du brûleur principal en veillant à porter un gant de protection. Tourner la manette du brûleur principal à fond dans le sens horaire, en position « OFF ».

REMISE EN MARCHÉ DU RADIATEUR

1. Attendre cinq minutes pour permettre au radiateur de refroidir.
2. Procéder comme indiqué dans la section MISE EN MARCHÉ DU RADIATEUR.

⚠ AVERTISSEMENT *Un fonctionnement du radiateur en dessous de la pression spécifiée peut causer une rentrée de flamme. Lors d'une rentrée de flamme, la flamme du brûleur est presque totalement jaune. La flamme brûlera à l'intérieur du*

tube de brûleur, ce qui causera un ronflement. En cas de rentrée de flamme, arrêter le radiateur. Le remettre en marche une fois que le tube de brûleur a refroidi.

ALIMENTATION EN GAZ NATUREL

L'utilisateur doit fournir l'alimentation en gaz naturel, ainsi que l'ensemble de la tuyauterie et des raccords. L'alimentation en gaz doit être réglée à 3,45 kPa (1/2 PSI) au maximum et 152 mm (6 po) à la colonne d'eau au minimum. Le système d'alimentation doit fournir 203 mm à la colonne d'eau minimum (RA100NGDGD) à chaque radiateur qui lui est raccordé.

Consulter le fournisseur de gaz local sur le diamètre correct des conduites d'alimentation. Veiller à respecter tous les codes locaux, ou consulter le guide du code national des gaz combustibles (National Fuel Gas Code Handbook) – NFPA54/ANSI Z223.1 ou le code des installations au gaz naturel (Natural Gas Installation Code) – CAN/CSA B149.1.

VENTILATION

⚠ AVERTISSEMENT *Une ouverture de 0,28 m² (3 pi²) pour entrée d'air frais extérieur par tranche de 100 000 BTU/h de puissance de radiateur doit être prévue pour faire fonctionner chaque radiateur. Un empoisonnement au monoxyde de carbone peut survenir si le débit d'air de ventilation est incorrect.*

Toujours veiller à prévoir la ventilation correcte avant de mettre ce radiateur en marche.

SPÉCIFICATIONS D'OUVERTURE POUR ENTRÉE D'AIR FRAIS EXTÉRIEUR

Puissance du radiateur	Taille d'ouverture (m ²)
100 000 BTU	0,28
250 000 BTU	0,70

⚠ AVERTISSEMENT *Lire et veiller à bien comprendre tous les avertissements donnés dans les pages consacrées aux informations générales sur la sécurité dans ce manuel. Ils sont essentiels au fonctionnement en toute sécurité de ce radiateur. Veiller à respecter tous les codes locaux lorsqu'on utilise ce radiateur.*

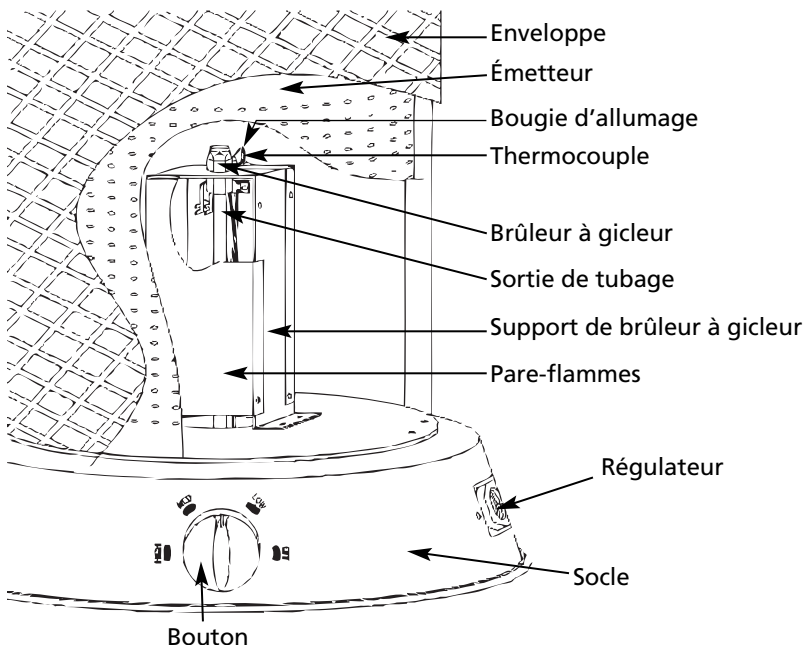


Figure 5 – Identification des pièces du modèle RA100NGDGD

Radiateurs rayonnants au gaz naturel Dyna-Glo® Delux

Fonctionnement (suite)

⚠ AVERTISSEMENT *Veiller à contrôler l'étanchéité de tous les raccords et branchements de tuyaux après l'installation ou des réparations. Utiliser un mélange à parts égales de savon liquide et d'eau. La formation de bulles signale une fuite. Toutes les fuites doivent donner lieu à une réparation immédiate!*

Entretien

⚠ AVERTISSEMENT *Ne jamais tenter de réparer le radiateur alors qu'il est raccordé à l'alimentation en gaz naturel, en marche ou chaud. Des brûlures sévères peuvent se produire.*

1. Toujours garder le radiateur propre.

2. Inspecter le radiateur avant chaque utilisation. Contrôler l'étanchéité des raccords. Appliquer un mélange à parts égales de savon liquide et d'eau. La formation de bulles indique une fuite qui doit être réparée. Réparer immédiatement les fuites.
3. Inspecter le tuyau du régulateur avant chaque utilisation. Si le tuyau est très usé ou coupé, le remplacer par un tuyau spécifié par le fabricant.
4. L'appareil ne doit pas être à proximité de matières combustibles, d'essence ou d'autres liquides aux vapeurs inflammables.
5. Faire inspecter le radiateur chaque année par du personnel de service qualifié.

6. Le débit de l'air de combustion et de ventilation ne doit pas être obstrué.

ENTREPOSAGE

⚠ ATTENTION *Débrancher le radiateur de l'alimentation en gaz naturel.*

1. Placer un capuchon en plastique sur le raccord d'entrée en laiton.
2. Entreposer dans un endroit sec, propre et sécuritaire.
3. Lors de la sortie d'entreposage du radiateur, toujours vérifier l'intérieur de celui-ci. Des petits animaux ou insectes peuvent y placer des corps étrangers. Maintenir le radiateur libre de corps étrangers et de matières combustibles.

Modèles RA100NGDGD et RA250NGDGD

Tableau de dépannage

Symptôme	Cause(s) possible(s)	Action corrective
Le brûleur ne s'allume pas	<ol style="list-style-type: none"> 1. Temps plus long de réchauffement nécessaire 2. Pression de gaz trop basse 3. Thermocouple desserré ou devant être remplacé 4. Vanne de régulation automatique devant être remplacée 	<ol style="list-style-type: none"> 1. Rallumer et maintenir le bouton de vanne de régulation enfoncé pendant 45 secondes 2. Contrôler l'alimentation en gaz naturel 3. Resserrer, raccorder ou remplacer le thermocouple 4. Remplacer la vanne de régulation automatique
Le brûleur s'allume mais s'éteint lorsque le bouton de vanne de régulation automatique est relâché	<ol style="list-style-type: none"> 1. Le robinet du brûleur principal n'est pas complètement ouvert 2. Orifice de gaz obstrué 3. Basse pression du gaz 4. Alimentation en gaz insuffisante 	<ol style="list-style-type: none"> 1. Ouvrir complètement le robinet de brûleur principal en tournant le bouton de commande en position « HIGH » 2. Remplacer l'orifice du gaz 3. Vérifier l'alimentation en gaz, le fonctionnement du détendeur 4. Contacter le fournisseur de gaz
Le taux de combustion est faible, l'émetteur ne rougeoit pas	<ol style="list-style-type: none"> 1. Le robinet du brûleur principal n'est pas complètement ouvert 2. Orifices de gaz bouchés 3. Basse pression du gaz 4. Faible alimentation en combustible 	<ol style="list-style-type: none"> 1. Ouvrir complètement le robinet du brûleur principal en tournant le bouton de commande vers la position élevée (HIGH) jusqu'à ce qu'il s'arrête 2. Remplacer l'orifice du gaz 3. Vérifier l'alimentation en gaz, la sortie du détendeur 4. Consulter le fournisseur de gaz
Les flammes sont très hautes et sortent de l'émetteur	L'appareil a été raccordé à une alimentation en propane plutôt qu'en gaz naturel	Vérifier la source de gaz et la remplacer par une alimentation en gaz naturel

**Commandez les pièces détachées en appelant gratuitement
1 800 477-4768**

S'il vous plaît fournir l'information suivante :

- Numéro de modèle
- Numéro de série (s'il y en a un)
- Description de la pièce et son numéro comme montré sur la liste de pièces

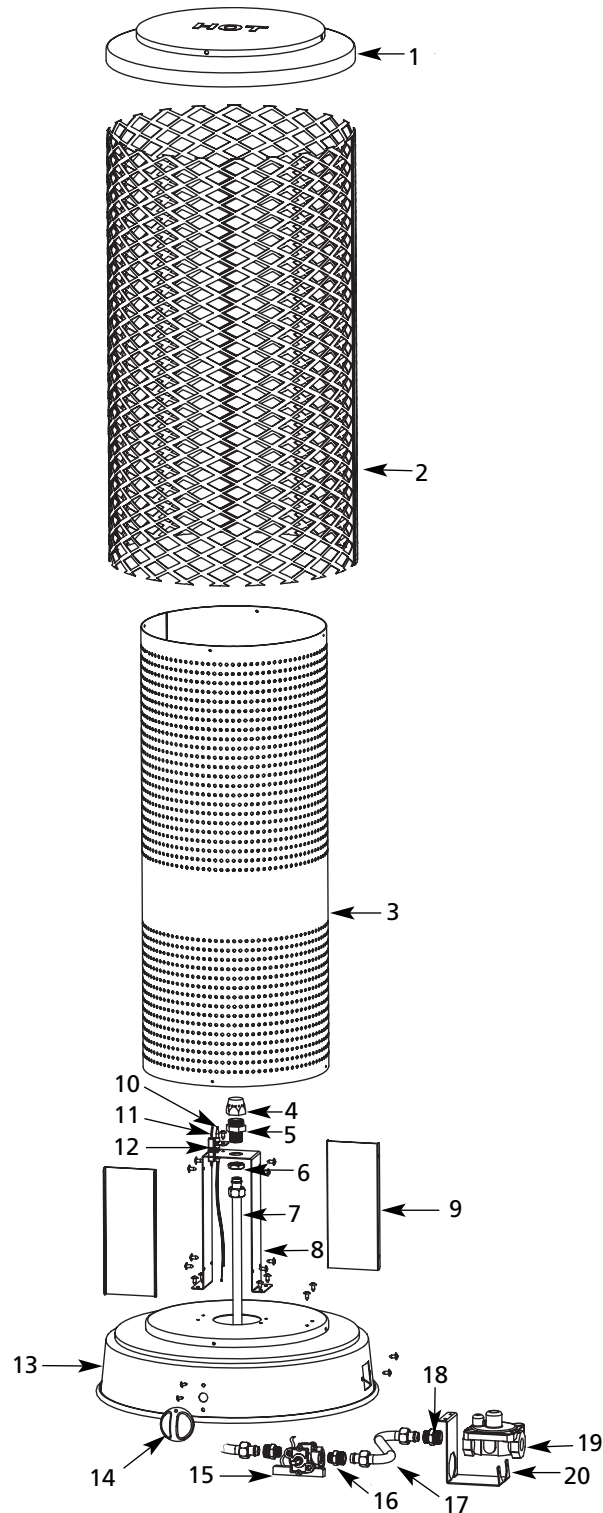


Figure 6 – Illustration des pièces détachées pour le radiateur rayonnant au gaz naturel RA100NGDGD

Pour obtenir du soutien technique ou du dépannage, appeler : 1-877-477-4768, 8:00 am - 5:00 pm CST
www.ghpgroupinc.com

Modèle RA100NGDGD

Liste des pièces détachées pour le radiateur rayonnant au gaz naturel RA100NGDGD

Numéro de référence	Description	Numéro de pièce pour modèle : RA100NGDGD	Quantité
1	Couvercle supérieur	5002854	1
2	Protection	2315528	1
3	Émetteur	2315519	1
4	Gicleur	2315521	1
5	Connecteur de gicleur	2315545	1
6	Écrou de gicleur	2315546	1
7	Tubage de gaz principal (GN)	2315523	1
8	Support de gicleur	2315517	1
9	Pare-flammes	2315516	2
10	Thermocouple	2201584	1
11	Bougie d'allumage	2201583	1
12	Support de thermocouple	2315520	1
13	Socle	5002851	1
14	Bouton de commande	2101451	1
15	Vanne de régulation	5050651	1
16	Raccord	2304948	2
17	Entrée de tubage	2315524	1
18	Raccord-régulateur pour entrée de tubage	2315547	1
19	Régulateur	2315555	1
20	Support de régulateur	2315518	1

Commandez les pièces détachées en appelant gratuitement 1 800 477-4768

S'il vous plaît fournir l'information suivante :

- Numéro de modèle
- Numéro de série (s'il y en a un)
- Description de la pièce et son numéro comme montré sur la liste de pièces

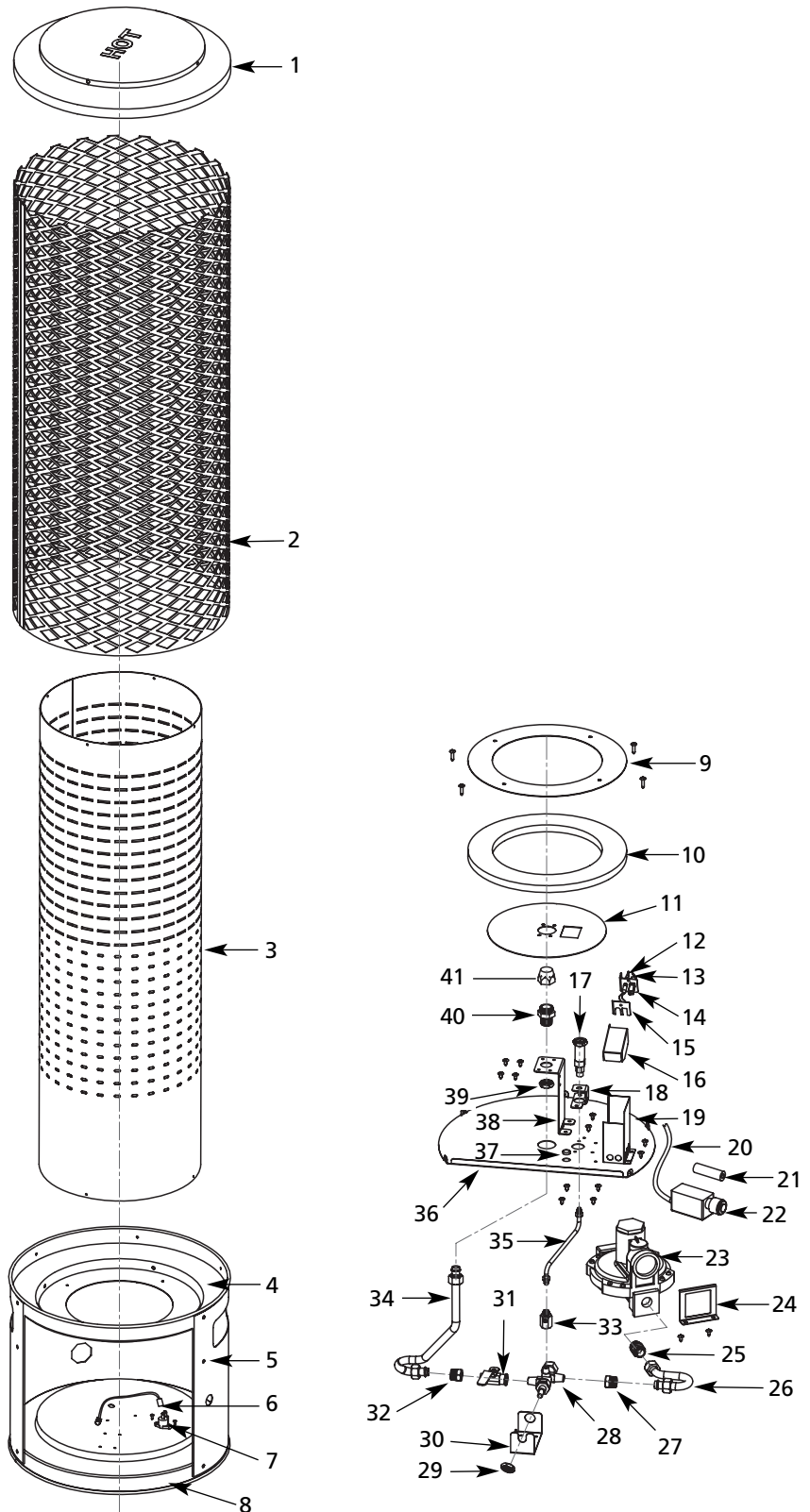


Figure 7 – Illustration des pièces détachées pour le radiateur rayonnant au gaz naturel RA250NGDGD

Pour obtenir du soutien technique ou du dépannage, appeler : 1-877-477-4768, 8:00 am - 5:00 pm CST
www.ghpgroupinc.com

Modèle RA250NGDGD

Liste des pièces détachées pour le radiateur rayonnant au gaz naturel RA250NGDGD

Numéro de référence	Description	Numéro de pièce pour modèle : RA250NGDGD	Quantité
1	Couvercle supérieur	5002854	1
2	Protection	2315554	1
3	Émetteur	2315537	1
4	Base supérieure	5002853	1
5	Couvercle de la base	2315532	1
6	Fil conducteur	2315643	1
7	Interrupteur de basculement	2300186	1
8	Base inférieure	5002852	1
9	Protecteur	2315539	1
10	Isolation	2315544	1
11	Pare-flammes	2315540	1
12	Thermocouple	2201591	1
13	Bougie d'allumage	2201583	1
14	Support de bougie d'allumage	2315609	1
15	Support	2315520	1
16	Boîtier pour fil conducteur	2315535	1
17	Veilleuse	GL250.39	1
18	Support de veilleuse	2315608	1
19	Boîte à vent	2315610	1
20	Fil d'allumage	2201585	1
21	Pile	2300481	1
22	Allumage	2201220	1
23	Régulateur	2315513	1
24	Support de régulateur	2315536	1
25	Connecteur de régulateur	2315547	1
26	Entrée de tubage	2315542	1
27	Connecteur	2315549	1
28	Vanne de régulation	5001423	1
29	Écrou de fixation du robinet de commande	2305687	1
30	Support du robinet de commande	2315538	1
31	Robinet tournant	2304630	1
32	Connecteur de robinet tournant	2305391	1
33	Connecteur de la veilleuse	2315548	1
34	Tubage principal	2315550	1
35	Tube de veilleuse	2001402	1
36	Protège-base	2315541	1
37	Anneau en caoutchouc pour fil	2315543	1
38	Support de gicleur	2315533	1
39	Écrou	2101008	1
40	Connecteur de gicleur	2315534	1
41	Gicleur	2315546	1

FRANÇAIS

GARANTIE RESTREINTE:

Cette garantie est offerte au premier acheteur du radiateur à air pulsé / réchaud rayonnant / radiateur à convection.

Cette garantie couvre les défauts de fabrication et de matériel pendant une année (1) à compter de la date de vente au détail. En tel cas, GHP Group inc. choisira soit de fournir des pièces de remplacement, d'échanger ou de réparer l'appareil, et ce, à condition que l'appareil soit retourné chez le détaillant ou à un centre de service GHP Group Inc. dans le délai prescrit, soit une année (1) à compter de la date de vente au détail. L'acheteur doit assumer les frais d'expédition, main-d'œuvre, etc.).

RESPONSABILITÉS DU PROPRIÉTAIRE:

Il faut suivre les instructions écrites fournies avec l'appareil de chauffage lors de son utilisation. La garantie ne protège pas le propriétaire qui n'assume pas l'entretien de l'appareil de chauffage conformément aux instructions écrites fournies avec l'appareil de chauffage. Un reçu, un chèque annulé ou un registre de paiement sont nécessaires afin de vérifier la date d'achat et la validité de la garantie. Il est recommandé de garder l'emballage d'origine dans l'éventualité qu'il soit nécessaire de retourner l'appareil garanti.

Ce qui n'est pas couvert :

1. Les dommages causés par l'utilisation d'un carburant inapproprié;
2. Les dommages causés par une utilisation inappropriée ou contraire aux instructions du manuel de l'utilisateur ou des instructions de sécurité;
3. Les dommages causés par un entretien inadéquat.
4. Les fusibles;
5. L'utilisation de pièces ou d'accessoires qui ne sont pas normalisés;
6. Les dommages survenus lors du transport. Le propriétaire doit assumer les frais de transport des pièces garanties et les frais de transport résultant de l'expédition de l'appareil à la manufacture, ou de la manufacture au propriétaire.

Cette garantie ne protège pas contre les pertes indirectes qui pourraient résulter de l'utilisation, l'utilisation inappropriée ou l'entretien de routine inappropriée de cet appareil de chauffage. Il pourrait y avoir des frais de nettoyage et de remplacement de pièces si la défectuosité de l'appareil résulte d'un entretien inadéquat. Cette garantie couvre seulement les défauts de fabrication et les défauts de matériel.

LA GARANTIE SERA NULLE SI L'ENTRETIEN DE ROUTINE (Y COMPRIS LE NETTOYAGE) N'EST PAS EFFECTUÉ.

CETTE GARANTIE RESTREINTE EST DONNÉE AU PROPRIÉTAIRE À LA PLACE DE TOUTES AUTRES GARANTIES EXPRÈS OU TACITE, Y COMPRIS MAIS NON DE FAÇON LIMITATIVE LES GARANTIES DE CONVENANCE DES MARCHANDS POUR UN BUT PRÉCIS. LA PROTECTION RELATIVE À CETTE GARANTIE EST EXCLUSIVE ET EST OFFERTE À LA PLACE DE TOUTE AUTRE PROTECTION. GHP GROUP, INC. NE POURRA EN AUCUN CAS ÊTRE TENU RESPONSABLE DE DOMMAGES ACCESSOIRES OU DOMMAGES CONSÉCUTIFS.

La restriction mentionnée ci-dessus ne vous concerne peut-être pas puisque certaines provinces n'imposent pas de restrictions quant à la durée d'une garantie implicite. La restriction ou l'exclusion mentionnée ci-dessus ne vous concerne peut-être pas puisque certaines provinces ne permettent pas la restriction ou l'exclusion de dommages accessoires ou dommages consécutifs.

FAIRE UNE RÉCLAMATION:

1. Contactez le détaillant afin de l'informer du problème;
2. Contactez le service des garanties si le détaillant ne peut pas résoudre la problématique. Il faudra expliquer le problème et fournir le numéro de modèle du radiateur et la date d'achat (preuve d'achat);
3. Un représentant vous contactera. N'EXPÉDIEZ PAS L'APPAREIL À GHP GROUP, INC., à moins que le représentant vous le demande. Cette garantie vous accorde des droits. Vous pourriez également avoir d'autres droits qui varient selon la province.

VEUILLEZ, S'IL VOUS PLAÎT, DÛMENT REMPLIR LA CARTE POUR ENREGISTRER LA GARANTIE DE VOTRE RADIATEUR ET POSTEZ-LA DANS LES 14 JOURS SUIVANTS LA DATE D'ACHAT OU FAITES-LE EN LIGNE À : www.ghpgroupinc.com

NOM: _____ TÉLÉPHONE: () _____ COURRIEL: _____
 ADRESSE: _____ VILLE: _____ PROVINCE: _____ CODE POSTAL: _____
 MODÈLE: _____ NO DE SÉRIE: _____ DATE D'ACHAT: _____
 NOM DU DÉTAILLANT: _____ TYPE DE MAGASIN: _____
 LIEU DE L'ACHAT (VILLE & PROVINCE): _____ PRIX PAYÉ: _____

Il suffit d'une minute pour répondre aux questions suivantes, nous vous en remercions :
 Les réponses seront gardées confidentielles et utilisées seulement pour une étude de recherche.

Qui a décidé d'acheter le produit? Homme Femme 18-24 25-39 40-59 60 et plus

Raison de l'achat? _____

Êtes-vous propriétaire d'un autre radiateur portable? Oui Non Si oui, type _____ Marque _____

Où sera utilisé ce nouveau radiateur? Site de construction Site Ferme Entrepôt/Commercial Garage/Construction accolée Autre

Comment avez-vous été informé du radiateur? Étalage en magasin Annonce dans un journal Annonce dans un magazine

Ami/Membre de la famille Annonce télévisée Commis-vendeur Autre _____

Pourquoi avez-vous choisi ce radiateur? Style Dimension/Portabilité Prix Emballage Marque Autre _____

Êtes-vous: Propriétaire? Où est-ce loué? Recommanderiez-vous ce radiateur à un ami? Oui Non

Veillez nous faire part de vos commentaires: _____

NOUS VOUS REMERCIONS D'AVOIR RÉPONDU AU QUESTIONNAIRE!

L'information sera gardée confidentielle.

ENREGISTREMENT DE LA GARANTIE

IMPORTANT: Nous vous conseillons fortement de remplir la carte d'enregistrement au cours des quatorze (14) journées suivant la date de l'achat. Vous pouvez aussi enregistrer la garantie en ligne au: www.ghpgroupinc.com. Écrivez le numéro de série. Gardez cette partie de la carte pour vos dossiers.



GHP Group, Inc.
8280 Austin Ave.
Morton Grove, IL 60053-3207

Tél: (877) 447-4768
www.ghpgroupinc.com

CONSERVEZ CETTE CARTE!

Apposez
Un
timbre
ici

GHP Group, Inc.
8280 Austin Avenue
Morton Grove, IL 60053-3207